



**TECH**ily®  
The Modern IT brand



▶ LED TV ACCESSORIES



▶ AUDIO-/VIDEO-DEVICES



▶ MULTIMEDIA CABLES

# TECHLY® - THE MODERN IT-BRAND

## Complete solutions for your audio & video devices

TECHLY® stands for innovative products that connect people, help businesses and improve our way of life. The special features of products lie in the easy use and creation of a smart as well as more environmentally friendly environment. Intelligent multimedia solutions help, managing electronic devices efficiently at home, at work and on the way. In addition to its many years of experience, TECHLY® stands for consistent quality, absolute reliability and an excellent price/performance ratio.

## Current standards and certifications

TECHLY® offers its customers high-quality products that comply with current legislation, standards and requirements. All products are marked with the required labels such as CE, FCC or RoHS.

## TECHLY® is green

TECHLY® has chosen the green for a certain reason: The brand strives to create new products and new product properties which allow to improve the energy efficiency and which stand for a more intelligent and greener environment.

# Portfolio



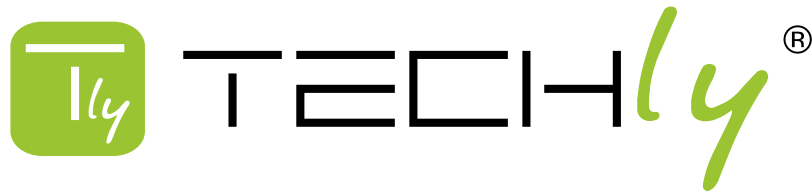
TV/LED Brackets



Audio-/Video-Devices



Multimedia Cabling



## Your advantages



Various Product Range:  
All Multimedia Products from one source



Excellent price/performance ratio



Simple Handling



Well-experienced, personal and  
competent contact persons



Quick delivery thanks to high stock  
availability



Quick purchase of partners throughout  
Germany and Europe

# Table of contents

## Brackets for TV/Monitor

Tiltable Mounts .....	6 - 7
Full-Motion Mounts .....	8 - 10
Fixed Wall-brackets .....	11 - 12
Ceiling brackets for TV.....	13
Desk mounts .....	14 - 15
Desk stands .....	16
Solid stands / Floor stands.....	17
Trolleys / Mobile Floor stands .....	18 - 20
Trolleys for Notebooks / Projectors .....	21
Beamer- / Projector Mounts.....	22 - 23
Loudspeaker Brackets .....	24

## Audio-/Video-Devices

VGA Extender .....	27
HDMI Wireless Extender .....	28
Wireless Extender .....	29

HDMI Extender / Splitter .....	30 - 35
HDMI Switches.....	36 - 38
HDMI Converter .....	39 - 40
HDMI Audio Converter .....	41

## Multimedia-Cabling

HDMI Cables .....	44 - 45
HDMI / DVI Adapters.....	46
DVI / DisplayPort Cables .....	47 - 48
Adapter DP 1.1/1.2 .....	49
Mini-Displayport 1.1/1.2 Adapters .....	50
USB Cable / Adapters .....	51
USB-C™ Converter .....	52
USB Converters / Extenders .....	53
Peripheral devices .....	54
Office .....	55

# Brackets for TV / Monitor





**FUNCTIONAL SOLUTIONS  
FOR EVERY  
ENVIRONMENT**



**ICA-PLB-161M**  
Wall-Mount for TV 23"-55"

23" 55" 45 kg VESA 400x400 max 3.6 cm bubble level

**TOP SELLER**

min VESA 75 max VESA 400

min VESA 75 max VESA 400

0° -12° ±15°

**ICA-PLB-131M**

23" 55" 60 kg VESA 400x400 max 5.0 cm

**ICA-PLB-131M (black)**  
Wall-Mount for TV 23"-55"

**ICA-PLB-131MW (white)**  
Wall-Mount for TV 23"-55"

**ICA-PLB-131L**  
Wall-Mount for TV 40"-65"

**new**

+3° -12°

min VESA 75 max VESA 400

**ICA-PLB-59T**  
Wall-Mount for TV 32"-70"

32" 70" 70 kg VESA 400x400 max 4.9 cm bubble level for or curved TV padlock

**NEW**

**foldable**

Space saving design for reduction of costs for logistics and shipping

+3° -12°

min VESA 200 max VESA 800

**ICA-PLB-590**  
Wall-Mount 43"-90"

43" 90" 70 kg VESA 800x400 max 4.9 cm bubble level for curved TV padlock

**NEW**

+0° -12°

**ICA-PLB-133MTY**

**ICA-PLB-133MTY (black)**  
Wall-Mount 23"-55"

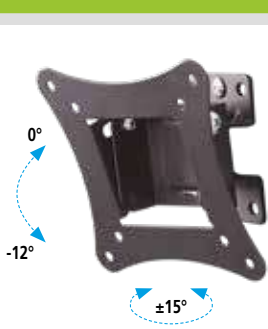
23" 55" 45 kg VESA 400x400 max 3.7 cm bubble level padlock

**NEW**

**ICA-PLB-133LTY (black)**  
Wall-Mount 40"-65"

40" 65" 50 kg VESA 600x400 max 3.7 cm bubble level padlock

**NEW**



### ICA-LCD-901

Wall-Mount for TV 13''-30''

**NEW**



### ICA-LCD-2900B (black)

Wall-Mount for TV 19''-37''

### ICA-LCD-2900WH (white)

Wall-Mount for TV 19''-37''

### ICA-LCD-2800B (black)

Wall-Mount for TV 23''-27''



### ICA-LCD-201BK

Wall-Mount for TV 13''-30''

**TOP  
SELLER**



### ICA-LCD-900

Wall-Mount for TV 13''-30''

**NEW**



### ICA-LCD-109

Wall-Mount for TV 13''-31''



### ICA-LCD-113-BK (black)

Wall-Mount for TV 17''-37''



### ICA-PLB-890

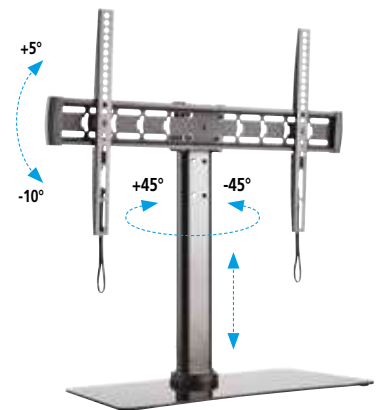
Wall-Mount for TV 42''-80''

**4 Vertical Adjustments**



### ICA-LCD-S304B (black)

Wall-Mount for TV 32''-47''

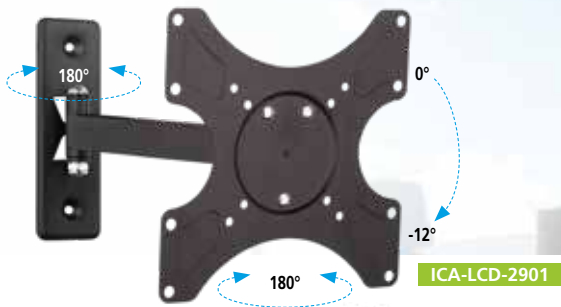


### ICA-LCD-S311

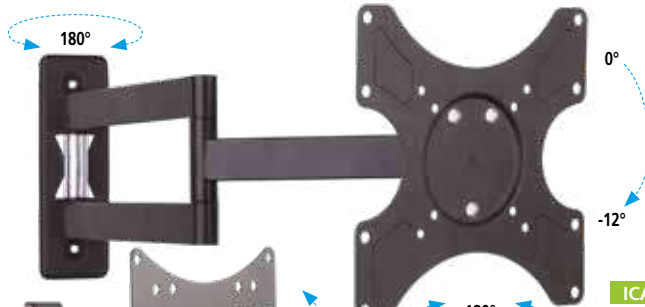
Universal TV Stand for 32'' - 55''

**NEW**

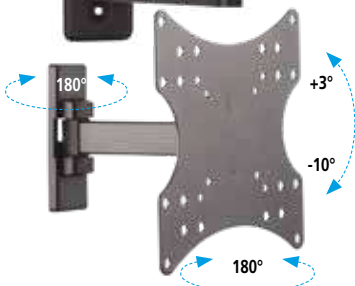
MOUNT WITH  
**FULL-MOTION ARM**  
FOR A PERFECT  
ADJUSTMENT



**ICA-LCD-2901**



**ICA-LCD-2903**

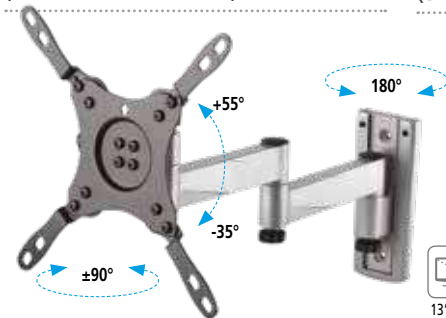


**ICA-LCD-2901E**



**ICA-LCD-2901E**

Wall-Mount for TV 23"-42"  
(extendable to 192 mm)

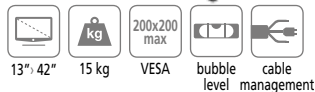


**ICA-PLW-01**



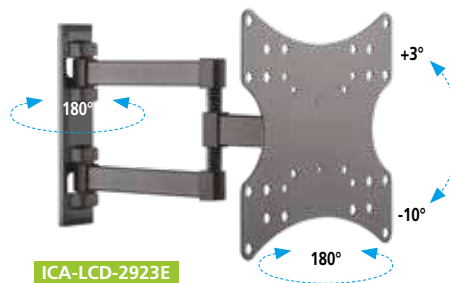
**ICA-PLW-01**

Wall-Mount for 13"- 27", with Keyboard shelf



**ICA-PLB-222**

Wall-Mount for TV 13"-42"  
(extendable to 392 mm)



**ICA-LCD-2923E**

**ICA-LCD-2923E**

Wall-Mount for TV 23"-42"  
(extendable to 320 mm)



**ICA-PLW-02**

**ICA-PLW-02**

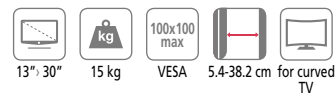
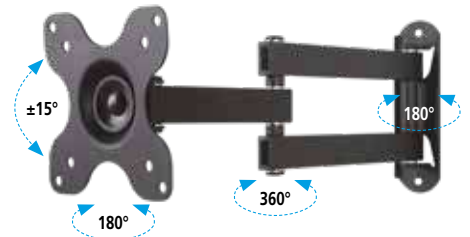
Wall-Mount for 13"- 27", with adjustable Keybo-  
ard shelf and monitorarm



**ICA-LCD-2901** (black)  
**ICA-LCD-2901WH** (white)  
Wall-Mount for TV 19"-37"  
(extendable to 260 mm)



**ICA-LCD-2903** (black)  
**ICA-LCD-2903WH** (white)  
Wall-Mount for TV 19"-37"  
(extendable to 445 mm)



**ICA-LCD-923B**

Wall-Mount for TV 13"-30"



**ICA-LCD-104BK**



**ICA-LCD-105BK** (black)  
Wall-Mount for TV 13"-30"



**ICA-LCD-104** (silver)  
Wall-Mount for TV 13"-30"

**ICA-LCD-104BK** (black)  
Wall-Mount for TV 13"-30"





- 45 kg
- 6.3-44.9 cm
- bubble level
- cable management

**ICA-PLB-148M**  
Wall-Mount for TV 23"-55" VESA 400x400 Slim

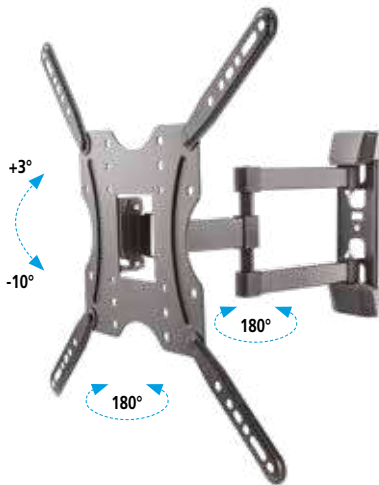
**ICA-PLB-148L**  
Wall-Mount for TV 32"-65" VESA 600x400 Slim



- 23"-55"
- 45 kg
- VESA 400x400 max
- 4.8-59 cm
- bubble level

**ICA-PLB-136M (black)**  
**ICA-PLB-136MW (white)**  
Wall-Mount for TV 23"-55"

**TOP SELLER**



- 32"-55"
- 30 kg
- VESA 400x400 max
- 6.2-42.2 cm

**ICA-PLB-136E**  
Wall-Mount for TV 32"-55"



**ICA-LCD-G221-BK**

**ICA-LCD-G11A**

- 5-30 kg
- VESA 200x200 max
- 5.9-38.3 cm
- cable management
- gas spring for curved TV

**ICA-LCD-G221-BK**  
Wall-Mount for TV 23"-42"  
(extendable to 383 mm)

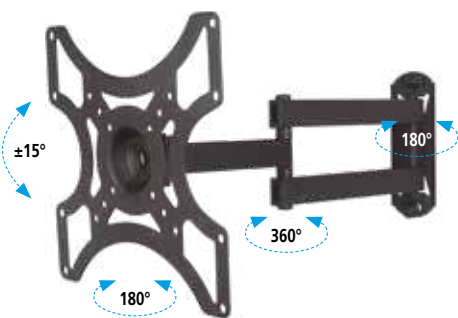
**ICA-LCD-G11A**  
VESA-Adapter from 200x200 to 400x400



- 17"-32"
- 1-8 kg
- VESA 100x100 max
- cable management
- gas spring for curved TV

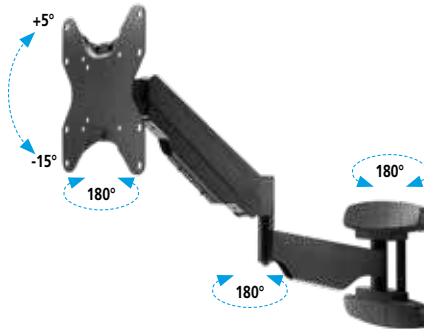
**ICA-LCD-G111**  
Wall-Mount for TV 17"-32"  
(extendable to 262 mm)

**NEW**



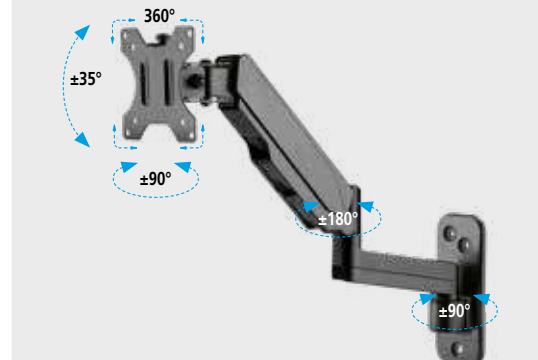
- 19"-37"
- 25 kg
- VESA 200x200 max
- 5.4-38.2 cm for curved TV

**ICA-LCD-2923B**  
Wall-Mount for TV 19"-37"



- 5-30 kg
- VESA 200x200 max
- 5.9-56.3 cm
- cable management
- gas spring for curved TV

**ICA-LCD-G222-BK**  
Wall-Mount for TV 23"-42"  
(extendable to 563 mm)



- 17"-32"
- 1-8 kg
- VESA 100x100 max
- cable management
- gas spring for curved TV

**ICA-LCD-G112**  
Wall-Mount for TV 17"-32"  
(extendable to 420 mm)

**NEW**



- 23" - 55"
- 30 kg
- VESA 400x400 max
- 4.6-53 cm
- bubble level

**ICA-PLB-171M**  
Wall-Mount for TV 23"-55"



- 32" - 60"
- 80 kg
- VESA 600x400 max
- 11.5-66.5 cm
- bubble level

**ICA-PLB-109B**  
Wall-Mount for TV 32"-60"



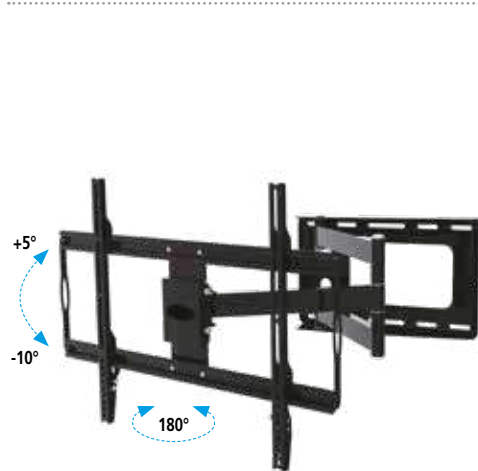
- 40" - 65"
- 35 kg
- VESA 600x400 max
- 5.4-54 cm
- bubble level

**ICA-PLB-171L**  
Wall-Mount for TV 40"-65"



- 40" - 80"
- 50 kg
- VESA 600x400 max
- 5.3-49 cm
- bubble level

**ICA-PLB-172L**  
Wall-Mount for TV 40"-80"



- 32" - 70"
- 45 kg
- VESA 600x400 max
- bubble level
- 8.4-68.8 cm



**ICA-PLB-23M**  
Wall-Mount for TV 32"-70"



- 50" - 100"
- 80 kg
- VESA 900x600 max
- 12.5-53.5 cm
- bubble level

**ICA-PLB-180L**  
Wall-Mount for TV 50"-100"



- 70 kg
- 7-43 cm
- bubble level
- for curved TV

**ICA-PLB-147M**  
Wall-Mount for TV 23"-55" VESA 400x400 with dual arm

**ICA-PLB-147XL**  
Wall-Mount for TV 42"-70" VESA 800x400 with dual Arm

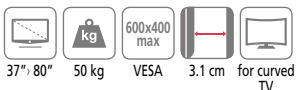
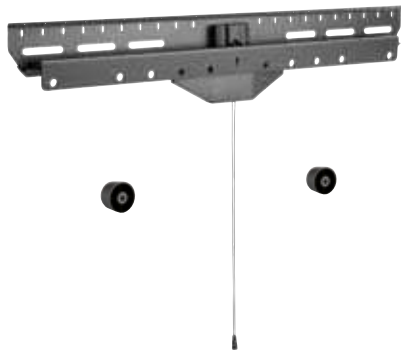


Turns  
**YOUR TV**  
into a painting



**TOP  
SELLER**

**ICA-PLB-162M** (black)  
**ICA-PLB-162MW** (white)  
Wall-Mount for TV 23"-55"



**NEW**

**ICA-PLB-154M**  
Wall-Mount for TV 37"-80"



**NEW**

**ICA-PLB-114M** (black)  
Wall-Mount for TV 23"-55"

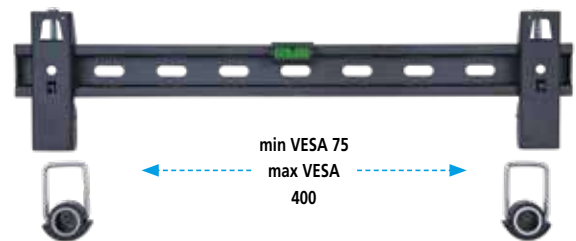


**ICA-PLB-114L** (black)  
Wall-Mount for TV 40"-65"



**ICA-LCD-114** (black)  
Wall-Mount for TV 13"-37"

**ICA-LCD-114WH** (white)  
Wall-Mount for TV 13"-37"



**ICA-PLB-139M** (black)  
**ICA-PLB-139MW** (white)  
Wall-Mount for TV 23"-55" VESA 400x400

**ICA-PLB-139L** (black)  
Wall-Mount for TV 40"-65" VESA 600x400



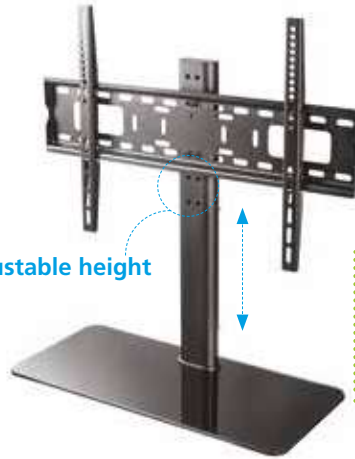
min VESA 75  
max VESA 600

- 40" - 65"
- 60 kg
- VESA 600x400 max
- 2.2 cm
- for curved TV

**ICA-PLB-132L**  
Wall-Mount for TV 40"-65"

- 32" - 60"
- 80 kg
- VESA 600x400 max
- 8.0 cm
- bubble level
- padlock

**ICA-PLB-103B**  
Wall-Mount for TV 32"-60"

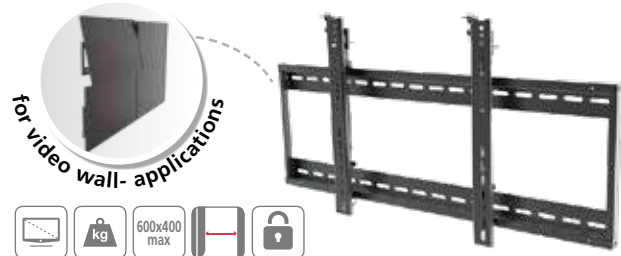


4 adjustable height

- 42" - 55"
- 40 kg
- VESA 600x400 max

**ICA-LCD-S304L (black)**  
Wall-Mount for TV 42"-55"

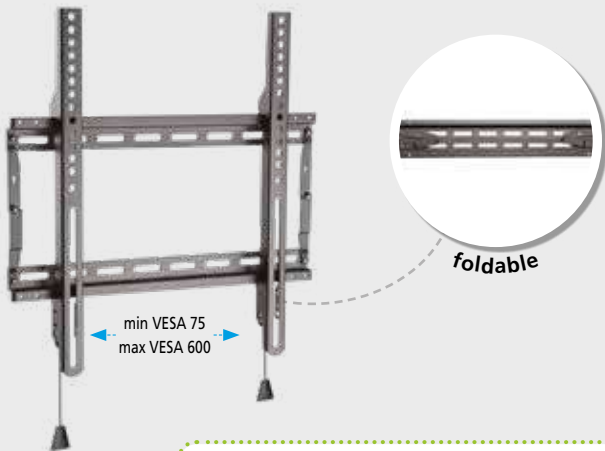
NEW



for video wall applications

- 45" - 70"
- 70 kg
- VESA 600x400 max
- 7.5 cm
- padlock

**ICA-PLB-046F**  
Wall-Mount for TV 45"-70" for video wall



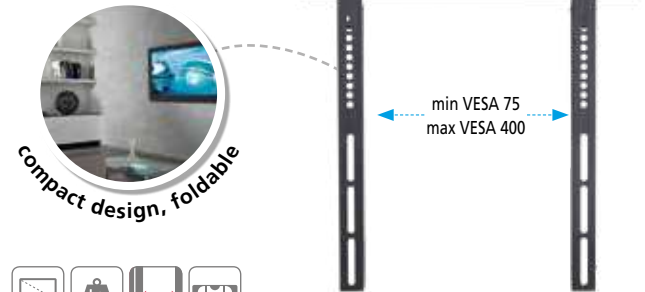
foldable

min VESA 75  
max VESA 600

- 32" - 70"
- 70 kg
- VESA 400x400 max
- 2.9 cm

**ICA-PLB-59F**  
Wall-Mount for TV 32"-70"

NEW



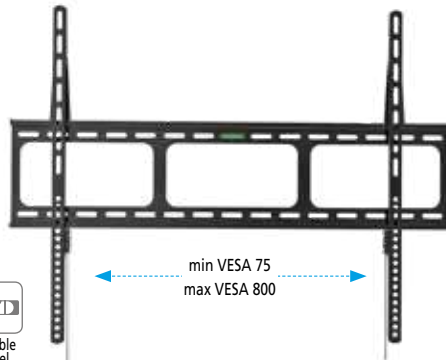
compact design, foldable

min VESA 75  
max VESA 400

- 32" - 55"
- 50 kg
- 2.3 cm
- bubble level

**ICA-PLB-140M**  
Wall-Mount for TV 32"-55" VESA 400x400

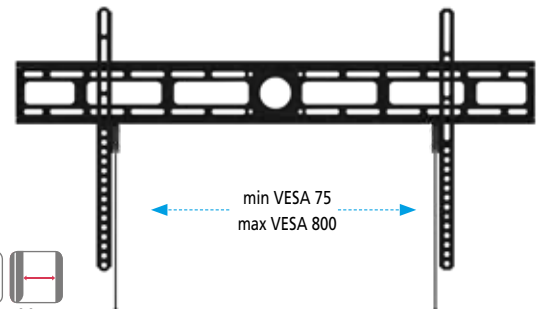
**ICA-PLB-140L**  
Wall-Mount for TV 40"-65" VESA 600x400



min VESA 75  
max VESA 800

- 42" - 80"
- 60 kg
- VESA 800x600 max
- 1.6 cm
- bubble level

**ICA-PLB-860**  
Wall-Mount for TV 42"-80"



min VESA 75  
max VESA 800

- 42" - 80"
- 60 kg
- VESA 800x400 max
- 2.2 cm

**ICA-PLB-840**  
Wall-Mount for TV 42"-80"



IDEAL FOR AIRPORTS, TRAIN STATIONS, SHOPPING CENTERS...

- 37"-70"
- 50 kg
- VESA 600x400 max
- 56-91 cm
- for sloping ceilings
- cable management



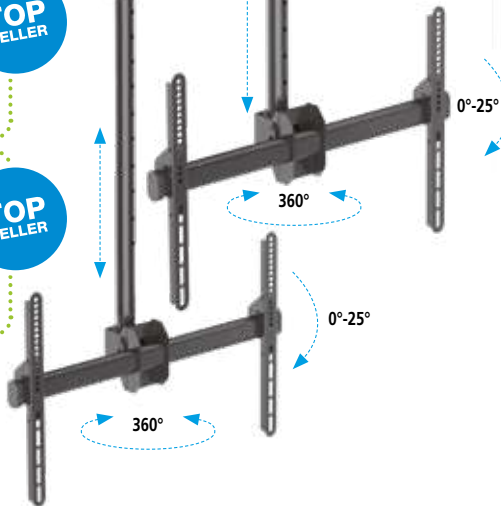
**ICA-CPLB-946S**  
Ceiling-Mount TV 37"-70"

- 37"-70"
- 50 kg
- VESA 600x400 max
- 106-156 cm
- for sloping ceilings
- cable management



**ICA-CPLB-946L**  
Ceiling-Mount TV 37"-70"

**ICA-CPLB 946S**



**ICA-PLB-VESA-KIT**  
Screw Set for TV/Monitor-Installation

**ICA-CPLB 946L**



- 32"-55"
- 50 kg
- VESA 400x400 max
- 56-91 cm
- for sloping ceilings
- cable management

**ICA-CPLB-944S**  
Ceiling-Mount TV 32"-55"

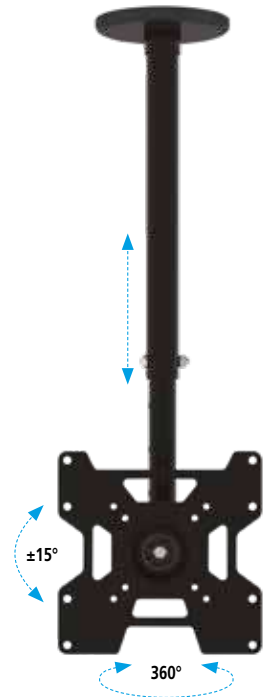
- 32"-55"
- 45 kg x 2
- VESA 400x400 max
- 56-91 cm
- for sloping ceilings
- cable management

**ICA-CPLB-944D**  
Ceiling-Mount 2 TV 32"-55"



- 23"-42"
- 50 kg
- VESA 200x200 max
- 117-167 cm
- for sloping ceilings
- cable management

**ICA-CPLB-922L**  
Ceiling-Mount for TV 23"-42"



- 23"-37"
- 45 kg
- VESA 200x200 max
- 44-79 cm

**ICA-CPLB-906**  
Ceiling-Mount TV 23"-37"

**OPTIMISES  
THE SPACE,  
IMPROVES  
THE ERGONOMY**



- 17"-32"
- 1-8 kg
- VESA 100x100 max
- cable management
- gas spring
- for curved TV

**ICA-LCD-516B (black)**  
**ICA-LCD-516S (silver)**  
Desk Stand for 17"-32"



- 17"-32"
- 1-8 kg
- VESA 100x100 max
- cable management
- gas spring
- for curved TV

**ICA-LCD-515B**  
Desk Stand for 17"-32"

**NEW**

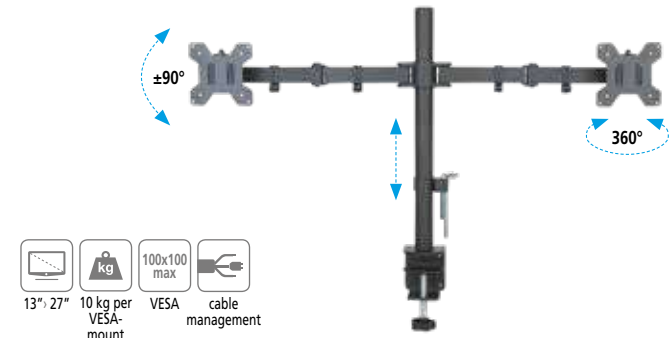


- 13"-27"
- 10 kg per VESA-Bracket
- VESA 100x100 max
- cable management

**ICA-LCD-482-D**  
Desk Stand 2 Monitors 13"-27"

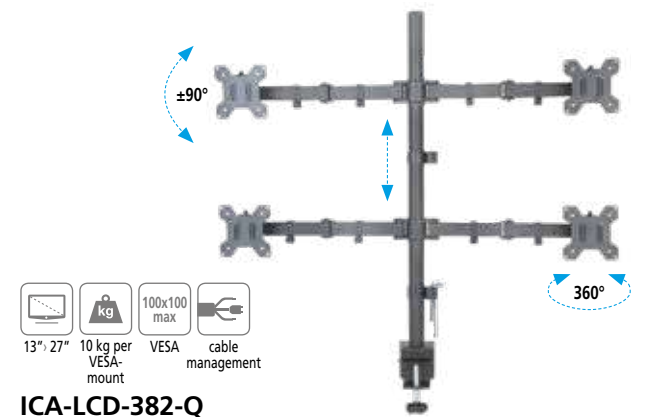
- 13"-24"
- 10 kg per VESA-Bracket
- VESA 100x100 max
- cable management

**ICA-LCD-482-T**  
Desk Stand for 3 Monitors 13"-24"



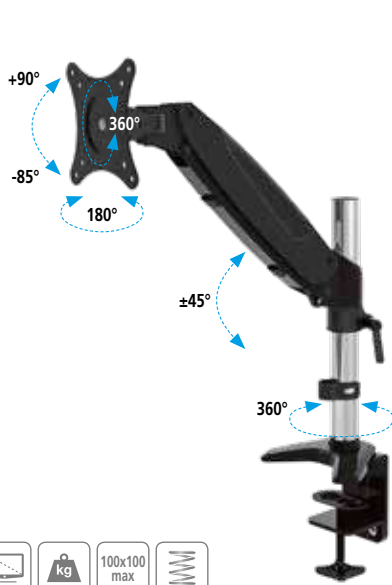
- 13"-27"
- 10 kg per VESA-mount
- VESA 100x100 max
- cable management

**ICA-LCD-382-D**  
Desk Stand for 2 Monitors 13"-27"



- 13"-27"
- 10 kg per VESA-mount
- VESA 100x100 max
- cable management

**ICA-LCD-382-Q**  
Desk Stand 4 Monitors 13"-27"



- 15"-27"
- 8 kg
- VESA 100x100 max
- g as spring

**ICA-LCD-111-BK**  
Desk Stand for 15"-27"



- 13"-27"
- 10 kg per VESA-mount
- VESA 100x100 max
- cable management

**ICA-LCD-350-D**  
Desk Stand for 2 Monitors 13"-27"



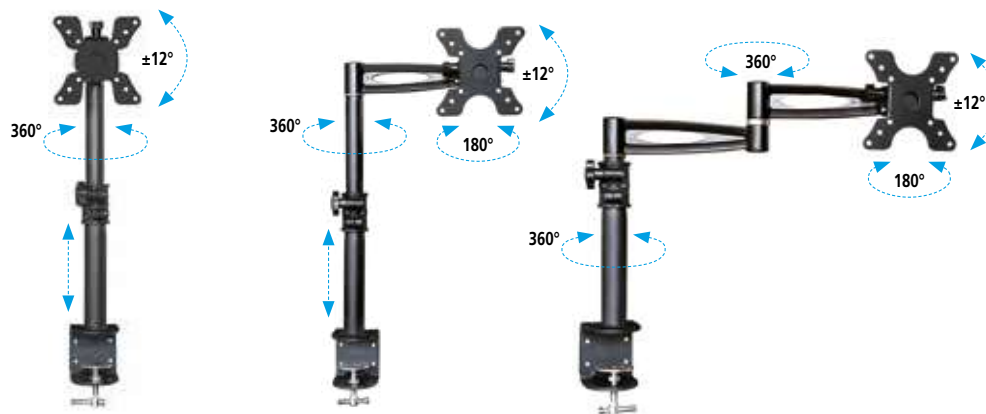
- 13"-27"
- 2-6.5 kg
- VESA 100x100 max
- cable management
- gas spring
- for curved TV

**ICA-LCD-514**  
Desk Stand for 13"-27"



- 13"-30"
- 10 kg
- VESA 100x100 max

**ICA-LCD-100BK**  
Desk Stand for 13"-30"



- 13"-27"
- 15 kg
- VESA 100x100 max

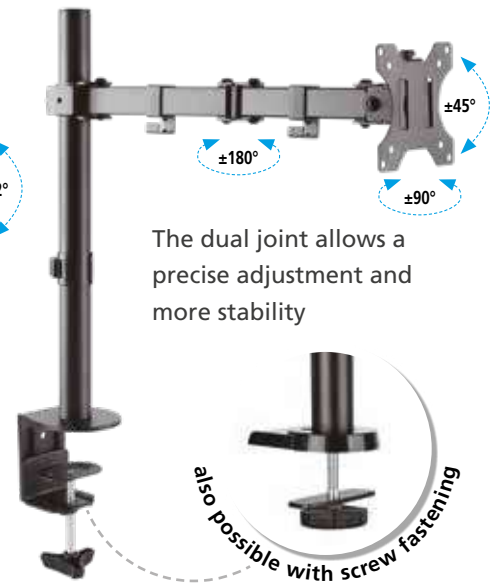
**ICA-LCD-500BK**  
Desk Stand  
13"-27"  
Height from 22 to 38 cm

- 13"-27"
- 8 kg
- VESA 100x100 max
- extendable 0.5-19 cm

**ICA-LCD-501BK**  
Desk Stand  
13"-27"  
Height from 23 to 39 cm

- 13"-27"
- 6 kg
- VESA 100x100 max
- extendable 0.5-37 cm

**ICA-LCD-502BK**  
Desk Stand  
13"-27"  
Height from 28 to 43 cm



- 13"-32"
- 8 kg
- VESA 100x100 max
- a arm 46 cm

**ICA-LCD-503BK**  
Desk Stand for 13"-32"

Allows mounting the desktop to a round pole with a diameter from 28 to 60 mm.

also possible with screw fastening

The dual joint allows a precise adjustment and more stability

also possible with screw fastening

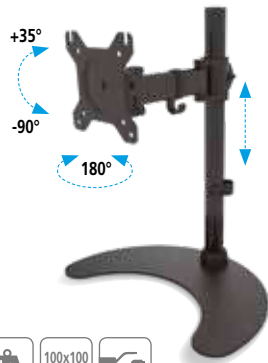
# VERTICAL AND HORIZONTAL SOLUTIONS



- 13"-27"
- 10 kg
- 100x100 max VESA
- cable management

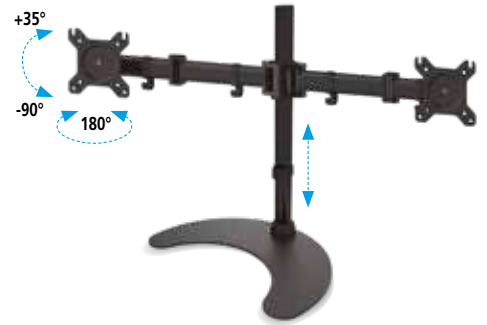
**TOP SELLER**

**ICA-LCD-2500**  
Desk Stand for 13"-27"



- 13"-27"
- 8 kg per VESA-mount
- 100x100 max VESA
- cable management

**ICA-LCD-3400**  
Desk Stand for 13"-27"

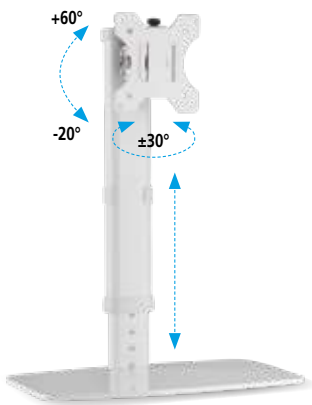


- 13"-27"
- 8 kg per VESA-mount
- 100x100 max VESA
- cable management

**ICA-LCD-3410**  
Desk Stand for 2 Monitors 13"-27"

- 13"-27"
- 10 kg per VESA-mount
- 100x100 max VESA
- cable management

**ICA-LCD-2520V**  
Desk Stand for 2 Monitors 13"-27"



- 17"-27"
- 6 kg
- 100x100 max VESA
- cable management

**NEW**

**ICA-LCD-260**  
Desk Stand for 17"-27"



- 13"-32"
- 8 kg per VESA-mount
- 100x100 max VESA
- cable management

**NEW**

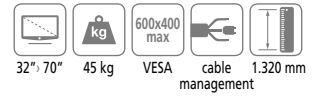
**ICA-LCD-2524**  
Desk Stand  
2 Monitors



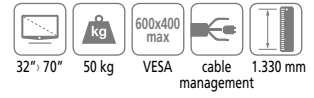
- 13"-27"
- 10 kg per VESA-mount
- 100x100 max VESA
- cable management

**ICA-LCD-2540**  
Desk Stand 4 Monitors  
13"-27"

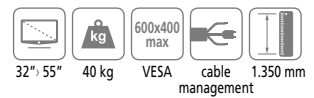




**ICA-TR12**  
Floor Stand for TV 32"-70"



**ICA-TR11**  
Floor Stand for TV 32"-70"



**ICA-TR27**  
Floor Stand for TV 32"-55"

**NEW**

Basis screwable to the floor



ICA-TR12



ICA-TR11



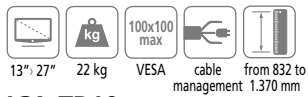
ICA-TR27



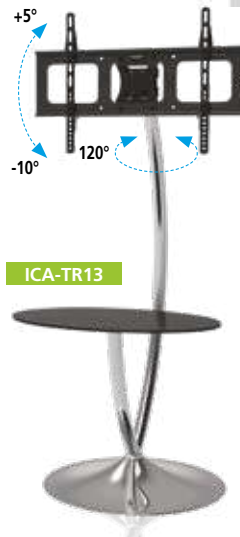
**ICA-TR13**  
Floor Stand for TV 32"-70"



**ICA-TR14**  
Floor Stand for TV 32"-70"



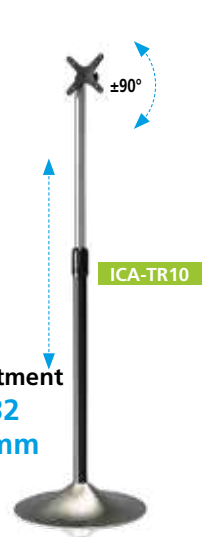
**ICA-TR10**  
Floor Stand for TV 13"-27"



ICA-TR13



ICA-TR14



ICA-TR10

Height adjustment  
from 832  
to 1370 mm

**new**

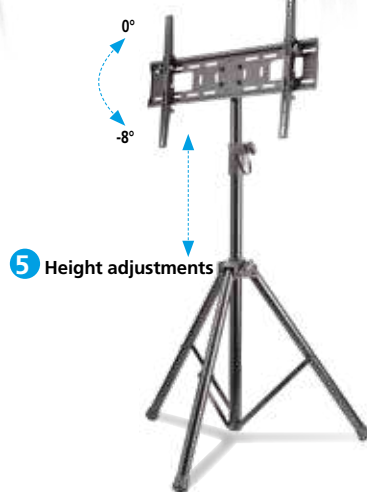


Wooden easel with dark surface for unique living room design.  
180° rotatable



**ICA-TR18SAM**  
Floor Stand for TV 45"-65"

**NEW**



5 Height adjustments



**ICA-TR17T**  
Tripod for TV 37"-70"

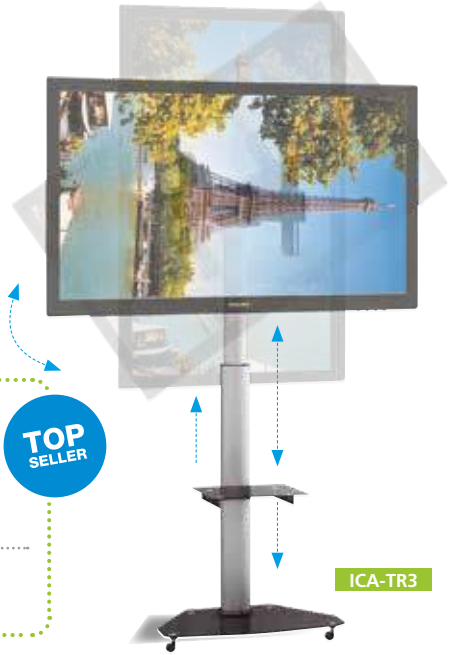
**NEW**



**ICA-TR32**  
Floor-/Ceiling TV-Mount  
for 37"-70"

**NEW**

# ADD ROLLS TO YOUR TELEVISION: MOBILE TV-TROLLEY FOR EVERY NEED



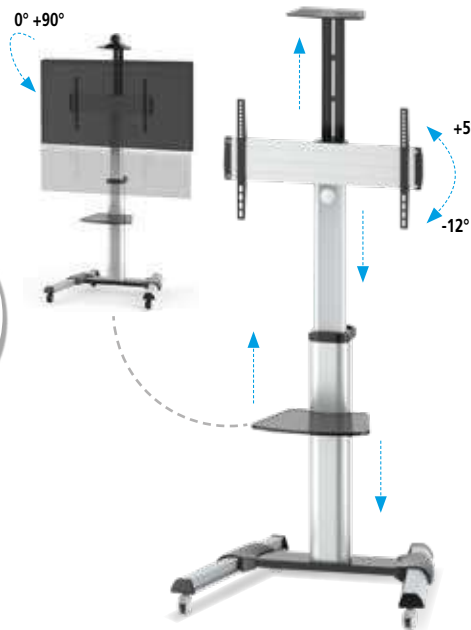
37"-70"	40 kg	600x400 max	cable management	for curved TV	from 1.200 to 1.800 mm	<b>TOP SELLER</b>
<b>ICA-TR3</b> Floor Stand, mobile, TV 37"-70"						
<b>ICA-TR3SH</b> Glass Shelf						

for large-format screens



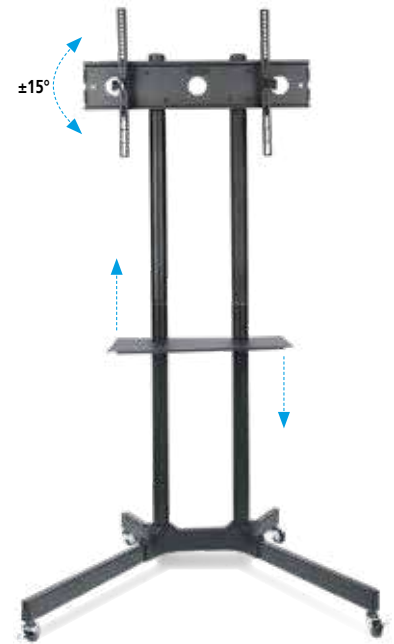
60"-100"	100 kg	1000x600 max	cable management	from 1.200 to 1.650 mm
----------	--------	--------------	------------------	------------------------

**ICA-TR24**  
Floor Stand, mobile, TV 60"-100"



37"-70"	50 kg	600x400 max	cable management	1.900 mm
---------	-------	-------------	------------------	----------

**ICA-TR15**  
Floor Stand, mobile, TV 37"-70"



30"-65"	60 kg	600x400 max	for curved TV	1.484 mm
---------	-------	-------------	---------------	----------

**ICA-TR6**  
Floor Stand, mobile, TV 30"-65"



**ICA-TR20**

- 19"-37" TV
- 20 kg weight
- 200x200 max VESA
- cable management
- for curved TV
- 1.484 mm height

**ICA-TR20**  
Floor Stand, mobile, TV 19"-37"



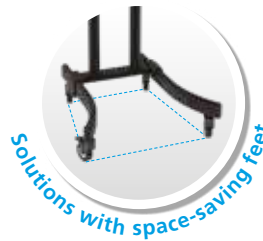
- 32"-70" TV
- 40 kg weight
- 600x400 max VESA
- 1.750 mm height

**ICA-TR23**  
Floor Stand, mobile, TV 32"-70"

- 23"-55" TV
- 25 kg weight
- 400x400 max VESA
- cable management
- for curved TV
- 1.484 mm height

**ICA-TR21**  
Floor Stand, mobile, TV 23"-55"

**TOP SELLER**



Height adjustment with a touch

- 42"-55" TV
- 8-20 kg weight
- 600x400 max VESA
- cable management
- 2.140 mm height

**ICA-TR25**  
Floor Stand, mobile, TV 42"-55"



- 37"-70" TV
- 40 kg weight
- 800x400 max VESA
- for curved TV
- 1.695 mm height

**ICA-TR4**  
Floor Stand, mobile, TV 37"-70"



- 32"-70" TV
- 60 kg weight
- 600x400 max VESA
- 1.730 mm height

**ICA-TR33**  
Floor Stand, mobile, TV 32"-70"

Positions adjustable



**ICA-TR30**

- 55"-100" TV
- 150 kg weight
- 800x600 max VESA
- 1.750 mm height

**ICA-TR30**  
Floor Stand, mobile, TV 55"-100"

- 55"-120" TV
- 150 kg weight
- 1000x600 max VESA
- 1.820 mm height

**ICA-TR31**  
Floor Stand, mobile, TV 55"-120"

**NEW**

**NEW**



- 60"-100"
- 100 kg
- VESA 1000x600 max
- cable management
- 2.300 mm

**NEW**

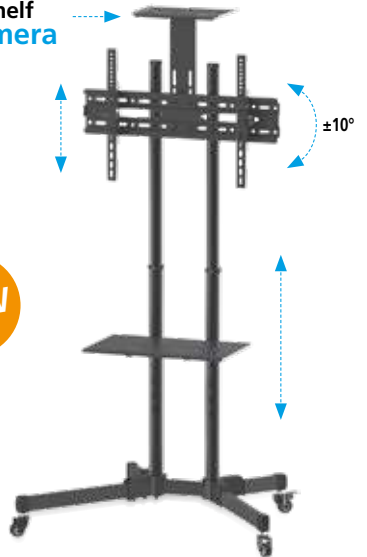
**ICA-TR29**  
Floor Stand, mobile, TV 60"-100" with cabinet

- 37"-70"
- 50 kg
- VESA 600x400 max
- cable management
- 1.800 mm

**NEW**

**ICA-TR16T**  
Floor Stand, mobile, TV 37"-70"

with shelf for Camera



**ICA-TR16T**



- 32"-70"
- 128 kg
- VESA 800x500 max
- 1.600 mm

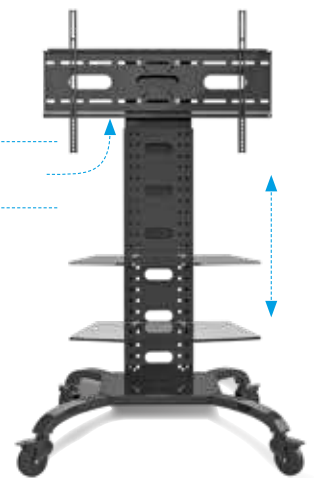
**ICA-TR22**  
Floor Stand, mobile, 2 TV 32"-70"



- 32"-70"
- 128 kg
- VESA 800x500 max
- 1.600 mm

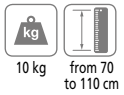
**ICA-TR9**  
Floor Stand, mobile, TV 32"-70"

with stay bar

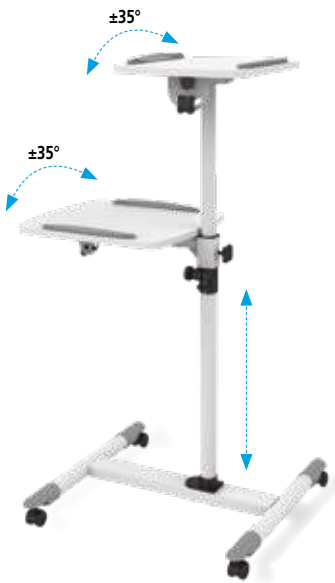


- 32"-70"
- 68 kg
- VESA 800x400 max
- from 1.220 to 1.445 mm

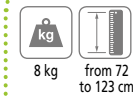
**ICA-TR8**  
Floor Stand, mobile, TV 32"-70"



**ICA-TB-TPM-5**  
Projector Trolley, mobile



**ICA-TB-TPM-6**  
Projector Trolley, mobile



**NEW**

**ICA-TB-TPM-8**  
Tripod for Projector/Notebook

**ICA-TB-TPM-9**  
Tripod for Projector/Notebook with shelf



**ICA-TB-TPM-3**



**ICA-TB-TPM-3**  
Compact adjustable table

**NEW**



**ICA-TB-TPM-1BK**

**ICA-TB-TPM-2**

**ICA-TB-TPM-1WH**



**ICA-TB-TPM-4**



**ICA-TB-TPM-4**  
Compact adjustable table

**NEW**



**ICA-TB-TPM-2**  
Projector Trolley, mobile

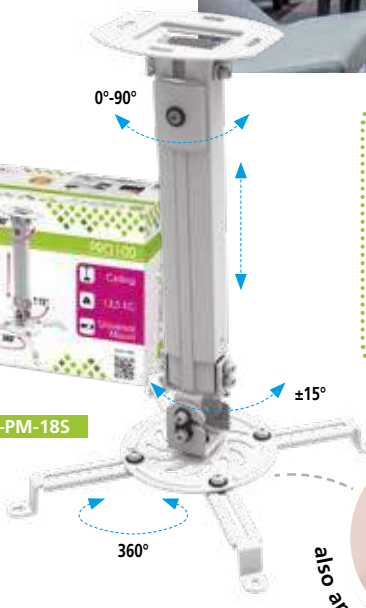
**ICA-TB-TPM-1BK** (black)  
**ICA-TB-TPM-1WH** (white)  
Mobile workstation



**UNIQUE**  
UNIVERSAL SUPPORTS  
**ADAPTABLE**  
AND **FLEXIBLE**



**ICA-PM-18S**



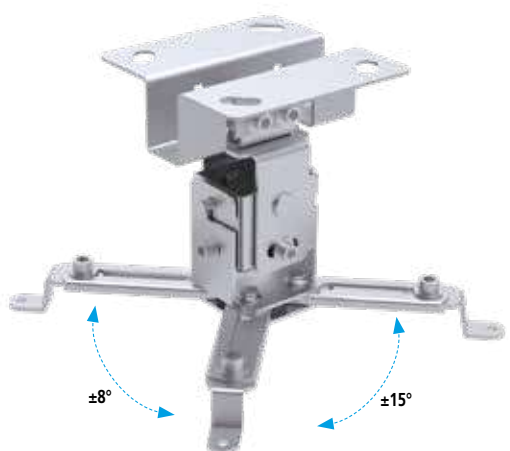
- ceiling
- 13,5 kg
- cable management
- extendable 38-58 cm
- for sloping ceiling

**ICA-PM-18S**  
Projector Mount  
(extendable to 38-58 cm)

- ceiling
- 13,5 kg
- cable management
- extendable 54.5-90 cm
- for sloping ceiling

**TOP  
SELLER**

**ICA-PM-18M**  
Projector Mount  
(extendable to 54.5-90 cm)



- ceiling
- 20 kg
- Quick release
- 13 cm

**ICA-PM-2S**  
Ceiling Projector Mount



- ceiling
- 15 kg
- 20 cm

**ICA-PM-200WH**  
Ceiling Projector Mount



**ICA-PM-102S**

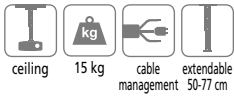
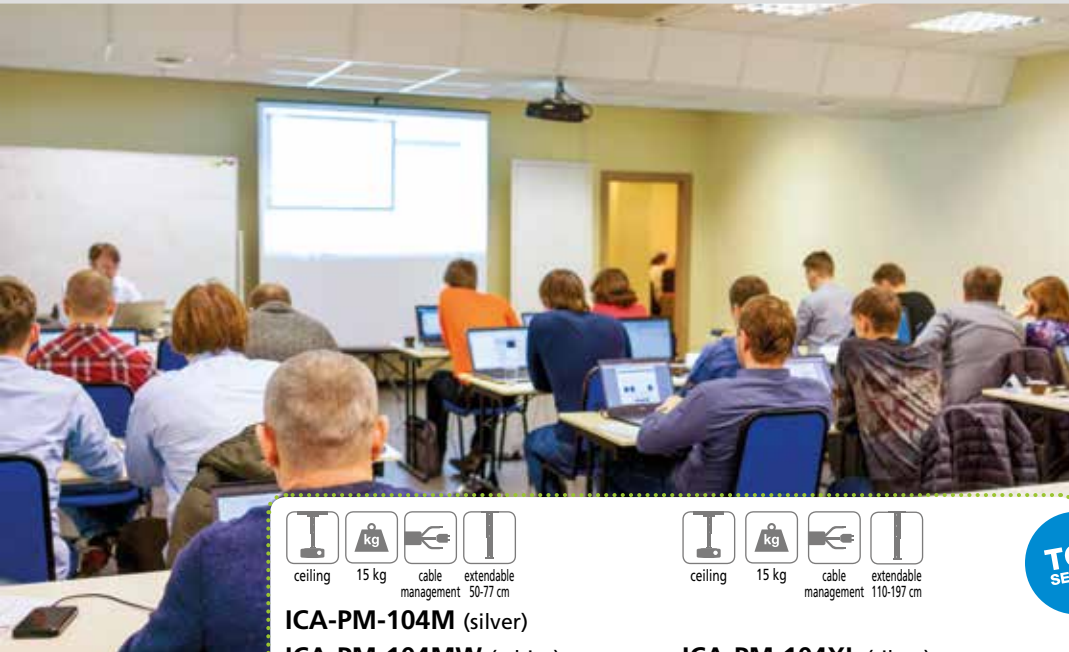


- ceiling
- 15 kg
- extendable 29-37 cm

**ICA-PM-102S**  
Projector Mount  
(extendable to 29-37 cm)

- ceiling
- 15 kg
- extendable 60-102 cm

**ICA-PM-102XL**  
Projector Mount  
(extendable to 60-102 cm)

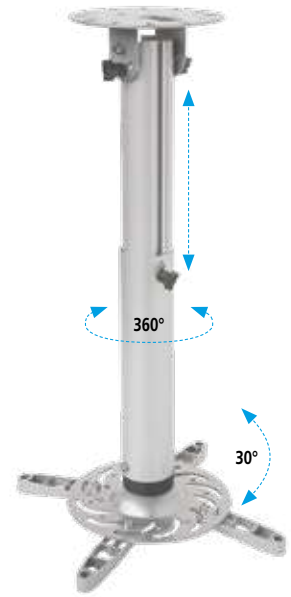


**ICA-PM-104M** (silver)  
**ICA-PM-104MW** (white)  
 Projector Mount  
 (extendable to 50-77 cm)



**ICA-PM-104XL** (silver)  
 Projector Mount  
 (extendable to 110-197 cm)

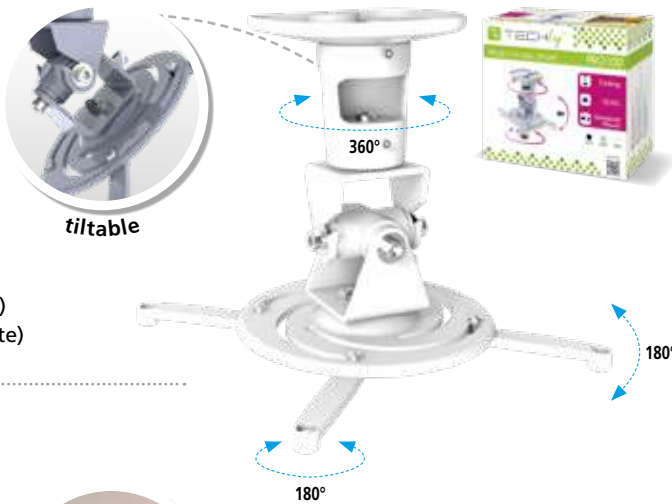
**TOP  
SELLER**



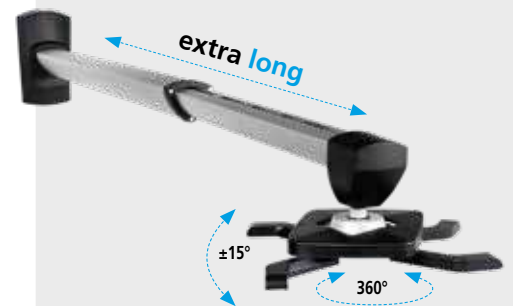
**new**



**ICA-PM-100BK** (black)  
**ICA-PM-100WH** (white)  
 Ceiling Projector Mount



Ideal solution also for **Short-Throw-Projectors**

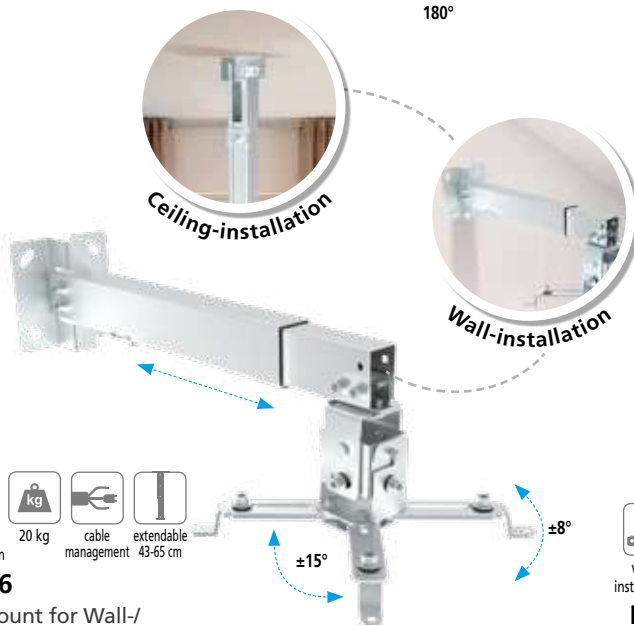


**ICA-PM-14XXL**  
 Wall Projector Mount

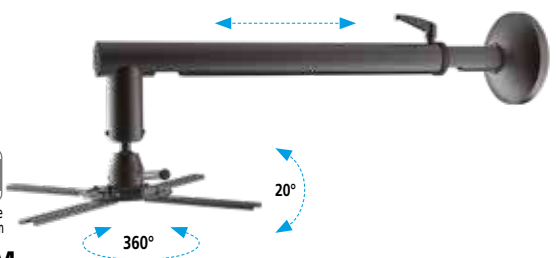
**NEW**

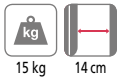


**ICA-PM-16**  
 Projector Mount for Wall-/  
 Ceiling-installation



**ICA-PM-1603M**  
 Wall Projector Mount





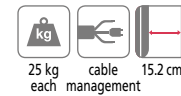
**ICA-SP-SS03**

Pair Speaker Brackets with Steel Security Cable



**ICA-SP-SS28**

Pair Wall Brackets for Speaker



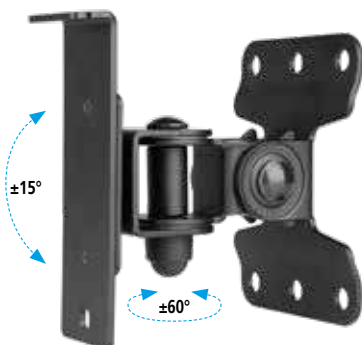
**ICA-SP-SS201**

Pair Wall-mounts for Speaker



**ICA-PLB-102S**

Speaker Bracket

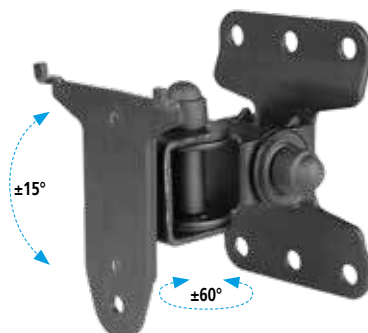


**ICA-SP-SSWL01**



**ICA-SP-SSWL01**

Wall-Bracket for Sonos-Speaker (Play 1)



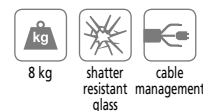
**ICA-SP-SSWL03**



**ICA-SP-SSWL03**

Wall-Bracket for Sonos-Speaker (Play 3)

**NEW**



**ICA-DRS-504**

Shelf of Safety glass



# TECHLY® PROFESSIONAL SPRAYS FOR ELECTRONICS AND IT APPLICATIONS



The TECHNICAL SPRAYS have been developed for various applications in professional and home use. In the spray program you will find: compressed air spray, lubricating thistle, cleaning thistle, contact cleaner, etc. Thanks to their specifications, they can meet the needs of IT, electronic applications, industry and many other different sectors.



### Contact and Cleaning Spray, 400ml

Contact cleaner for precision mechanics and electronics (electronic cards, electrical and electronic contacts...). It does not conduct electricity and does not attack plastics. Vaporizes quickly.

ICA-CA-041T



### Multi-purpose Lubricating Thistle Spray, 400ml

Loosens nuts, bolts, locks, gear wheels; Lubricates chains, gears, locks, hinges and mechanisms; Protects against oxidation; Does not contain silicones.

ICA-CA-015T



### Silicone spray, 400ml

Silicone spray suitable as lubricant for hinges, locks, etc. water-repellent

ICA-CA-042T



### Multi-purpose Cleaner Foam Spray, 400ml

Foam Cleaner: Removes stains, grease, dirt and oil

ICA-CA-200T



### Compressed air spray 400ml

Easy removal of dust and dirt from sensitive electronic components and boards - Does not contain: with rust prevention, antifreezer

ICA-CA-100T



### Contact and Cleaning Spray, 200ml

Contact cleaner for electrical and electronic components and contacts, slow evaporation. The cleaner is non-conductive and does not attack plastics.

ICA-CA-T06T



### Degreasing spray, 400ml

Multi-purpose degreaser for nuts, bolts and oxidized objects; cleaner and lubricator for electrical contacts; with rust prevention, antifreezer, water-repellent properties

ICA-CA-030T



### High performance lubricating thistle spray, 400ml

Lubricating oil suitable for machines for offices, sensitive mechanisms and gears, hinges, locks, sewing machines and plastic parts; contains no solutions

ICA-CA-009T

# Audio-/Video- Devices



> **VGA- and Audio-Extender** over Cat. 5e/6 (300m)



- » Enables the transmission of VGA- and audio signals over distances up to 300 m by using a network cable Cat. 5e/6
- » Supports VGA resolution up to 1920 x 1200
- » Manually adjustable gain and sharpness to adapt the image quality to different conditions
- » Transmitter and receiver included in scope of delivery

**IDATA-EX-DL344**

> **VGA- and Audio-Extender** over Cat. 5e/6 (300m) cascadable (1x8)



**MSV-AU8B**



**EX-DL45**

- » Enables the transmission of VGA- and audio signals over distances up to 300 m by using a network cable Cat. 5e / 6
- » Supports up to 8 receivers (to be purchased separately)
- » Supports a VGA resolution up to 1920x1200 pixel by providing a clear signal
- » Manually adjustable gain and sharpness to adapt the image quality to different conditions

**IDATA-MSV-AU8B**

EXTENDER/AUDIO-/VIDEO-SPLITTER CAT. 5E/6 - TRANSMITTER

**IDATA-EX-DL45**

EXTENDER/AUDIO-/VIDEO-SPLITTER CAT. 5E/6 - RECEIVER

> **VGA- and Audio-Extender** over Cat. 5e/6 (300m) Cascadable (1x4)



**EX-DL252**



**EX-DL45**

- » Enables the transmission of VGA- and audio signals over distances up to 300 m by using a network cable Cat. 5e / 6
- » Supports up to 4 receivers (to be purchased separately)
- » Supports VGA resolution up to 1920 x 1200
- » Manually adjustable gain and sharpness to adapt the image quality to different conditions
- » Devices to be purchased separately

**IDATA-EX-DL252**

EXTENDER/AUDIO-/VIDEO-SPLITTER 4X RJ45 CAT. 5E/6 - TRANSMITTER

**IDATA-EX-DL45**

RECEIVER FOR EXTENDER/AUDIO-/VIDEO-SPLITTER - RECEIVER

> **VGA HDbiT Extender** over Cat. 5e/6 Network Cable



- » Supports resolutions up to 1920x1080 @ 60Hz and indefinite amplification due to cascading. Supports Signal Input RGBHV and an Audio-Port 3.5 mm

**IDATA-EXTIP-383V**

## > HDMI Wireless Extender 4K 200m

**4K** ULTRA HD ((HDCP)) **200** METER



- » Transmits the HDMI signal with a resolution of 4Kx2K@30Hz wirelessly over a distance up to 200 m
- » A transmitter can support connection with two receivers simultaneously
- » Supports IR pass-back function
- » No cable between the transmitter (TX) and the receiver (RX)

**IDATA-HDMI-WL200K** SET TRANSMITTER AND RECEIVER

**IDATA-HDMI-WL200KR** ADDITIONAL RECEIVER

## > HDMI Wireless Extender Full HD 50m

**Full HD 1080** ((HDCP)) **50** METER



- » HDMI wireless kit with transmitter and receiver to extend high definition audio and video to any HDTV up to 50 meters
- » Supports point-to-point connections
- » Portable and compact design
- » Full HD 1080p transmitted up to 50 meters (in the absence of walls and / or floors)
- » HDCP 1.2 compatible
- » Frequency: 5GHz
- » Supports L / R Stereo Audio

**IDATA-HDMI-WL40E**

## > HDMI Compact Wireless Extender Full HD 50m

**Full HD 1080** ((HDCP)) **50** METER



- » Allows to transmit the HDMI signal up to 50 meters wirelessly
- » Supports point-to-point connection
- » Supports HD resolutions up to 1080p Full HD
- » Supports HDCP1.2
- » Supports IR Remotecontrol
- » Energy transmission via USB Cable (USB input at transmitter)

**IDATA-HDMI-WL50D**

## > HDMI Wireless Extender Full HD 20m Multipoint

**Full HD 1080** ((HDCP)) **20** METER



- » Supports Full HD 1080p@60Hz resolution up to 20 meters
- » Operating frequency 5GHz
- » Supports multipoint-to-point configuration (receiver supports up to 10 transmitters)
- » HDCP 1.2 compatible
- » Compact and portable design
- » Plug and Play: no installation required

**IDATA-HDMI-WL20M10** SET TRANSMITTER AND RECEIVER

**IDATA-HDMI-WL20MT** ADDITIONAL TRANSMITTER

## > HDMI Compact Wireless Extender Full HD 15m

**Full HD 1080** ((HDCP)) **15** METER



- » Wireless Set with transmitter and receiver: Supports point-to-point connection and extends the HDMI signal up to 15 m with a HDMI resolution of max. 1080p@60Hz
- » HDCP1.2 compatible
- » Transmitter powered via HDMI Port or the supplied Micro USB Cable
- » Compact design with a HDMI connector for a direct connection to the HDMI source

**IDATA-HDMI-WL38MINI**

## > HDMI Wireless Matrix Extender Full HD 50m

Full HD 1080p (HDCP) 50 METER

**NEW**



- >> Maximum resolution up to 1080p Full HD
- >> Strong anti-interference function at the operating frequency of 5GHz
- >> Supports point-to-point configuration and point-to-multipoint (1 to 2) as well as multipoint-to-multipoint (2 to 2, 2 to 1)
- >> IR pass-back support with 20-60KHz frequency
- >> Supports button control to set channels and to select the HDMI and IR inputs

**IDATA-HDMI-WL88M** TRANSMITTER

**IDATA-HDMI-WL88MR** RECEIVER

## > Wireless IR Extender 200m

**NEW**



- >> Ultra-compact infrared wireless extender, extends the signal of the remote control by radio
- >> Portable Design in Metal Housing
- >> Includes an IR transmitter and an IR receiver, working in pairs
- >> Wide IR frequency from 20 - 60 KHz, compatible with any device equipped with IR-interface
- >> Supports 200m wireless coverage in open spaces

**IDATA-HDMI-WL88**

## > HDMI KVM Wireless Extender Full HD 50m

**NEW**



- >> HDMI KVM Wireless Extender up to 50 m with a HDMI resolution of max. 1080p @ 60Hz
- >> 5 GHz Frequency
- >> Supports point-to-point wireless connection
- >> It is a suitable solution for meetings, conferences, home entertainment and multimedia training
- >> Transmitter supports HDMI Loop-Out (additional local HDMI output at transmitter)
- >> Supports HDMI 1.3; HDCP 1.2
- >> Unterstützt HDMI 1.3; HDCP 1.2

**IDATA-HDMI-KVM50W**

**INFINITE**

**SIGNAL**

**DISCOVER**  
THE INCREDIBLE  
FEATURES OF OUR  
SIGNAL AMPLIFIERS

**HDMI Extender over Cat.6/6A**  
Cable with EDID/IR 4K 60Hz



- » Supports maximum video resolution of 4Kx2K@60Hz (30m) and 4Kx2K@30Hz (60m)
- » Supports HDMI 2.2, HDCP2.2 compatible
- » Transmitter equipped with an additional local HDMI output to connect a local monitor
- » With built-in pass-back EDID function to ensure better compatibility with connected devices
- » Supports IR pass-back function (IR range 20-60KHz)

**IDATA-EXT-E70-4K2**

**HDMI HDBaseT Extender**  
IR 4K 3D up to 100m



- » Supports HDBaseT technology
- » Transmits the HDMI signal via network cable Cat. 6/6A/7 to up to 100 m length
- » Supports HDCP, CEC and 24bit deep color
- » With PoE/PoH support for receiver

**IDATA-EXT-E90**

**HDMI HDBaseT Extender**  
4K 60Hz



- » Supports HDBaseT technology
- » Supports bidirectional IR pass-back and bidirectional RS232 control
- » Supports HDCP 2.2, CEC, deep color 24 bit
- » Supports DTS-HD and Dolby True HD LPCM audio
- » Supported resolution is up to 4Kx2K@60Hz ultra HD

**IDATA-EXT-E95** 70 METERS

**IDATA-EXT-E91** 100 METERS

**HDMI HDbiT Extender Set**  
Extender up to 120m, 4K 60Hz



- » Extends HDMI signal over a single Cat. 5e/6 cable up to 120m with 4K@60Hz resolution
- » IR passback (20-60 Hz) to easily control the signal source (DVD-player, receiver)
- » Supports point-to-point and point-to-multipoint configuration
- » Supports point-to-point and point-to-multipoint configuration

**IDATA-EXTIP-393** SET TRANSMITTER AND RECEIVER

**IDATA-EXTIP-393R** ADDITIONAL RECEIVER

**HDMI 4K Repeater** up to 40m



- » 4K YUV 4:4:4 HDMI signal repeater: extends transmission distance up to 40m
- » Supports 3D video and HDCP 2.2
- » Transmission up to 25 m with 4Kx2K@60Hz and up to 40 m at 1080p@60Hz

**IDATA-HDMI2-RIP4KT**

**HDMI Extender Full HD** up to 120m, Real Time Transmission

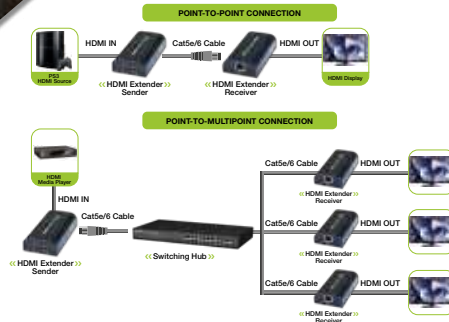


- » Real Time transmission without delay
- » Supports Full HD 1080p@60Hz
- » Transmission distance up to 120m via Cat.6 cable, up to 100m via Cat.5e cable, with self-adjustment depending on the length of the cable used
- » Supports IR pass-back allowing you to easily manage the source device remotely from the receiver's position

**IDATA-EXT-E71** REAL-TIME HDMI EXTENDER

## > HDMI Extender over IP (120m)

Full HD 1080p (HDCP) 120 METER



TOP SELLER

- » Allows point-to-point as well as point-to-multipoint connections
- » Extends the video- and sound-signal transmission via network cable Cat.6 to 120 m to one or several receivers
- » Supports Full HD 1080p and a maximum transmission speed of 10.2 Gbps
- » Supports HDCP 1.2

**IDATA-EXTIP-373** EXTENDER/SPLITTER HDMI OVER IP NETWORK

**IDATA-EXTIP-373R** ADDITIONAL REMOTE-UNIT

## > HDMI Extender Full HD via Cat.6/6A/7 Cable up to 40m

Full HD 1080p (HDCP) 40 METER



- » Allows you to connect two devices up to 40 meters with Cat.6 /6A/7 cable
- » Ease and convenience, combined with the small size, make it easy to connect video sources such as PCs / consoles / blu ray players to projectors and remote screens
- » Supports 1080p and compliance with HDCP 1.2

**IDATA-EXT-E70S** HDMI EXTENDER FULL HD

## > HDMI Extender Full HD with IR

Full HD 1080p 3D (HDCP) 60 METER



- » Maximum videoresolution: 1080p
- » Supported Bandwidth: 10.2 Gbps
- » Supports HDCP 1.3 and 3D
- » With automatic adjustment of settings for best visualization
- » Supported distance: 60 m

**IDATA-EXT-E70I**

## > HDMI Extender via Network Cable Cat. 5e/6

Full HD 1080p 3D (HDCP) 60 METER

TOP SELLER



- » Supports maximum video resolution of 1080p
- » Supported bandwidth: 10.2 Gbps
- » According to HDCP 1.3; supports 3D
- » With manual regulation of the cable length for a better picture quality
- » Supported distance: 60 m

**IDATA-EXT-E70**

## > HDMI Extender Full HD 3D POE 40m with EDID and IR

Full HD 1080p 3D (HDCP) 40 METER



- » Allows you to easily extend the HDMI TV signal up to 40m using a Cat. 6/6A/7 network cable
- » With EDID adjustment for optimal signal/frequency adjustment and support for IR remote control
- » With the LENGTH button for manual adjustment of the distance/signal ratio
- » Maximum supported video resolution: 1080p
- » Supports PCM, AC3, DTS audio
- » HDCP 1.2a, 3D compliant

**IDATA-EXT-E70POED** EXTENDER HDMI FULL HD 3D POE

► **HDMI Extender with integrated Cable**

Full HD 1080 3D ((HDCP)) 30 METER

TOP SELLER



- » Supports video resolution 1080p, HDCP and 3D
- » Supports bandwidth up to 165 MHz/1.65 Gbps per channel (4.95 Gbps at all)
- » Supports 8 bit deep color per channel as well as compacted and uncompactd audiodata
- » Supported distance: 30 m

**IDATA-EXT-E30D**

► **HDMI Extender with IR over Singlemode SC Fiber up to 20km**

Full HD 1080 ((HDCP)) 20 KM

NEW



- » Extends HDMI, audio and IR signal over fiber optic cable
- » Used with SC single-mode fiber optic cable
- » Supports resolution up to 1080p @ 60 Hz, Full HD
- » Maximum transmission speed: 10.2 Gbps
- » Amplification distance up to 20 km
- » Supports IR transmission for easily controlling devices over long distances

**IDATA-EXT-EF2000A**

► **HDMI KVM Switch with USB 4K**



KVM-HDMI2U

- » For controlling 2/4 PCs with HDMI and USB interface, with full audio support
- » Improves the output signal quality
- » Max. video resolution 4K @ 30Hz
- » With additional USB Port for simultaneous use of peripherie devices

**IDATA-KVM-HDMI2U** 2 CHANNELS

**IDATA-KVM-HDMI4U** 4 CHANNELS

► **DisplayPort Dual View KVM Switch USB 4K**



IDATA-DP-KVM2



IDATA-DP-KVM4

- » For controlling 2/4 PCs with Displayport interface, with full audio support
- » With Dual View support to control workplaces with 2 monitors
- » Improves the output signal quality
- » Max. video resolution 4K @ 30Hz
- » With integrated 2 Port USB Hub for simultaneous use of peripheral devices

**IDATA-DP-KVM2** 2 CHANNELS

**IDATA-DP-KVM4** 4 CHANNELS

► **HDMI KVM Extender via Network Cable up to 60m**

Full HD 1080 60 METER

NEW



- » Extends HDMI signal up to 60 m and supports KVM function for point-to-point connection
- » With integrated microphone and audio interface 3.5 mm
- » Transmitter supports one HDMI loop-out
- » Supports resolution up to 1080p@60Hz
- » Real time transmission, low latency
- » Transmission distance up to 60 m via Cat.6 cable, 50 m via Cat.5E

**IDATA-HDMI-KVM60**

► **HDMI KVM Extender via Network Cable (120m)**

Full HD 1080 120 METER



- » This HDMI KVM Extender transmits the HDMI signal up to 120 meters over network cable Cat.5e or higher. The supported resolution is up to 1080p @ 60Hz.
- » KVM support function: It allows access to a computer system and ports (USB keyboard and mouse)
- » Support LAN standard 802.3 Ethernet 10/100/1000Mbps

**IDATA-HDMI-KVM2**



# TECHly® EXTENDER OVER NETWORK

When using a single Cat.5e/6 network cable, distances up to 120m can be bridged. HDbiT offers maximum flexibility and expandability of the network. With a network switch, point-to-multipoint connections can be realised and provide unlimited signal amplification. The HDbiT technology ensures the interconnection of the entire series.



MODULAR SYSTEM



**HDbiT HDMI Extender over Network with IR**  
Supports maximum resolution 1080p@60 Hz and unlimited amplification by cascading. Supports IR remote control

**IDATA-EXTIP-383** Transmitter/Receiver  
**IDATA-EXTIP-383R** Additional Receiver



**HDbiT HDMI Extender over Network with local HDMI-Port**  
Supports maximum resolution 1080p@60 Hz and unlimited amplification by cascading. With HDMI output for adding a local screen. With very sensitive Super-IR.

**IDATA-EXTIP-383IR** Transmitter/Receiver  
**IDATA-EXTIP-383IRRX** Additional Receiver



**4K HDbiT HDMI Extender over Network with IR**  
Supports maximum resolution 4Kx2K (3840x2160@30 Hz) and unlimited amplification by cascading. Supports remote control with very sensitive Super-IR.

**IDATA-EXTIP-3834K** Transmitter/Receiver  
**IDATA-EXTIP-3834KR** Additional Receiver



**HDbiT HDMI Extender over Network with POE**  
Supports maximum resolution 1080p@60 Hz and POE function for direct supply from both transmitter and receiver side, allowing more compact and tidier installations

**IDATA-EXTIP-383POE** Transmitter/Receiver  
**IDATA-EXTIP-383POER** Additional Receiver



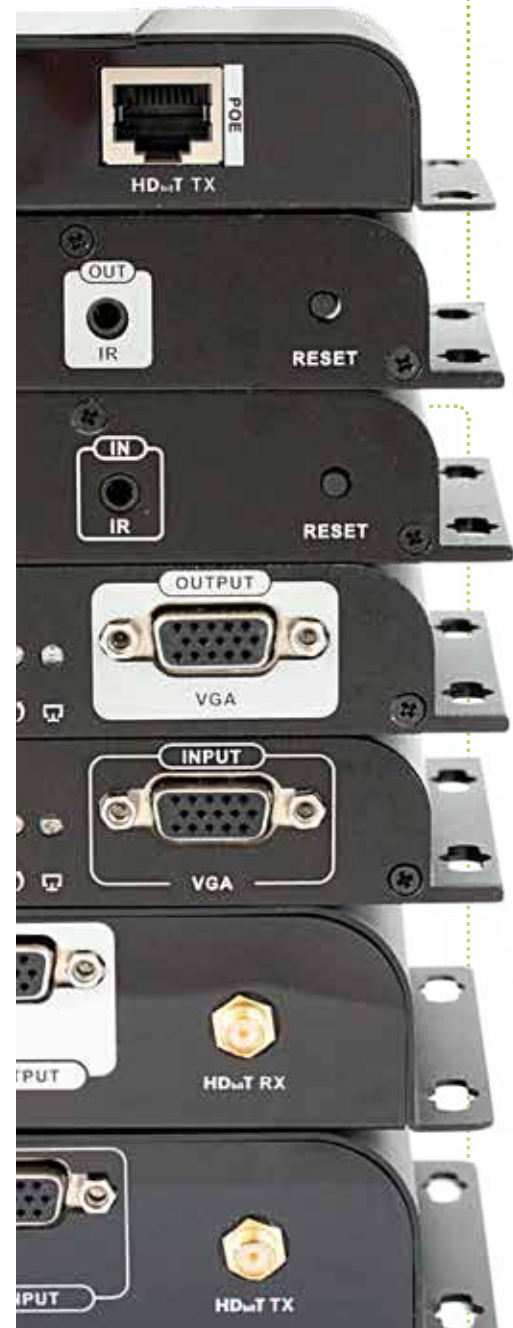
**HDbiT DVI Extender over Cat.5/5e/6 Cable**  
Supports resolutions 1920x1080@60Hz for point-to-point connection; Converts the DVI-D signal to a standard TCP / IP signal. Supports HDCP

**IDATA-EXTIP-383D** Transmitter/Receiver



**HDbiT VGA Extender over Network**  
Supports maximum resolution 1920x1080@60 Hz and unlimited amplification by cascading. Supports RGBHV signal input and a 3.5 mm audio port.

**IDATA-EXTIP-383V** Transmitter/Receiver



## ▶ HDMI Extender/Splitter with IR over Network Cable (40m)

Full HD 1080 ((HDCP)) 40 METER



- » Distributes 1 HDMI source simultaneously to 2/4/8 HD displays over network cable Cat. 6 or higher
- » The highest resolution supported is up to 1080p@60Hz
- » Transmission distance up to 40m via Cat. 6 cable
- » Supports IR pass-back for an easy remote control of several devices
- » Plug and play

<b>IDATA-EX-HL21TY</b>	EXTENDER/SPLITTER 1X2
<b>IDATA-EX-HL41TY</b>	EXTENDER/SPLITTER 1X4
<b>IDATA-EX-HL81TY</b>	EXTENDER/SPLITTER 1X8

## ▶ HDBiT HDMI Extender/Splitter - 4/8-Channels with IR (120m)

Full HD 1080 ((HDCP)) 120 METER



- » Kit with Extender Splitter HDMI with 4/8 Channels, IR and a Receiver
- » Distributes one source HDMI to 4/8 screens
- » Extends the signal up to 120 m to Network Cable Cat. 6/6a/7
- » HDMI and HDCP compatible
- » Supports video resolution up to 1080p@50 Hz/60 Hz

<b>IDATA-EXTIP-314</b>	EXTENDER/SPLITTER 4 CHANNELS + 1 RECEIVER
<b>IDATA-EXTIP-318</b>	EXTENDER/SPLITTER 8 CHANNELS + 1 RECEIVER
<b>IDATA-EXTIP-383R</b>	ADDITIONAL RECEIVER

## ● HDMI Extender/Splitter with IR (60m)

Full HD 1080 3D ((HDCP)) 60 METER



- » Enables the signal extension up to 60m using a Cat. 6 network cable.
- » Supports resolutions up to 1080p FullHD
- » Bandwidth: 18 Mbps
- » Supports IR transmission for easy control of remote devices
- » With local HDMI output on transmitter to connect a local HDMI screen

<b>IDATA-EX-HL21D</b>	
-----------------------	--

## ▶ HDMI Extender/Splitter via CAT6/6a/7

4K ULTRA HD Full HD 1080 ((HDCP)) 60 METER



- » Distributes 1 HDMI source simultaneously to 2/4 HD displays over network cable
- » Supports one HDMI Loop-out
- » Extends HDMI signal up to 60 m via Cat.6 cable
- » The highest resolution supported is up to 1080p@60Hz
- » Supports 20~60Hz IR pass back and EDID function
- » Supports power from transmitter to receiver unit via CAT.6 cable
- » Plug and play

<b>IDATA-EX-HL21TY2</b>	EXTENDER/SPLITTER 1X2
<b>IDATA-EX-HL41TY2</b>	EXTENDER/SPLITTER 1X4

## > HDMI Splitter 4K, UHD, 3D

**4K** ULTRA HD **Full HD 1080** **3D** ((HDCP))



IDATA-HDMI2-4K2

- » Supports HDMI 2.0, 3D and HDCP 2.2
- » Supports a HDMI solution 4Kx2K@60 Hz
- » Allows simultaneous splitting of the audio/video signal of a HDMI source (such as: DVD player, Blu-ray, PS3, etc.) to 2 screens
- » Extends the distance (2/4 channels): by 30m from Source to Splitter and by 25m from Splitter to Screen; Extends the distance (8 channels) by 15m from Source to Splitter and by 10m from Splitter to Screen

<b>IDATA-HDMI2-4K2</b>	2 CHANNELS
<b>IDATA-HDMI2-4K4</b>	4 CHANNELS
<b>IDATA-HDMI2-4K8</b>	8 CHANNELS

## > HDMI Splitter 4K 60Hz HDR

**4K** ULTRA HD ((HDCP))

**NEW**



IDATA-HDMI2-4K2HDR

- » Supports Ultra HD resolution 4Kx2K @ 60Hz
- » Supports HDR technology (High Dynamic Range) that allows, connected to devices that support the same technology, to watch movies, photographs or any other content with a dynamic depth of colour and contrast
- » Supports EDID function: 16 different adjustment possibilities via a DIP switch
- » HDCP2.2 compatible
- » Metal housing for better heat dissipation

<b>IDATA-HDMI2-4K2HDR</b>	2 CHANNELS
<b>IDATA-HDMI2-4K4HDR</b>	4 CHANNELS
<b>IDATA-HDMI2-4K8HDR</b>	8 CHANNELS

## > HDMI Splitter 4K, UHD, 3D with EDID

**4K** ULTRA HD **3D** ((HDCP))



IDATA-HDMI2-4K4E

- » Allows simultaneous distribution of signals coming from one HDMI source to two/four HDMI monitors
- » Supports a resolution Ultra HD 4Kx2K@60 Hz
- » Supports EDID information: resolution manually adjustable by dip switch
- » Compatible with HDCP1.4, HDCP2.2; Supports HDMI 3D
- » Metal housing for better heat dissipation
- » Plug and play

<b>IDATA-HDMI2-4K2E</b>	2 CHANNELS
<b>IDATA-HDMI2-4K4E</b>	4 CHANNELS

## > HDMI Splitter 4K, UHD, 3D

**4K** ULTRA HD **Full HD 1080** **3D** ((HDCP))



HDMI-4K2

- » Allows to visualize the same image to 2/4/16 screens
- » Supports a maximum resolution of HD 4Kx2K, 3D, HDCP 1.3
- » Extends the distance (2/4 channels): by 30 m from Source to Splitter and by 25 m from Splitter to Screen; (16 channels) by 15m from Source to Splitter and by 10 m from Splitter to Screen

<b>IDATA-HDMI-4K2</b>	2 CHANNELS
<b>IDATA-HDMI-4K4</b>	4 CHANNELS
<b>IDATA-HDMI-4K16</b>	16 CHANNELS

## > DVI Splitter 24+5



ICKV102DTY

- » Allows to visualize the same image on 2/4/8 monitors
- » Amplifies the signal, allowing to place the monitors up to a maximum distance of 10 m from the DVI signal source
- » Supports a bandwidth of 225MHz/2.25Gbps per channel (6.75Gbps all channels) bandwidth
- » Supports highest video resolution 1080p
- » Supports HDCP, 12bit per channel (36bit all channels) deep color

<b>ICKV102DTY</b>	2 CHANNELS
<b>ICKV104DTY</b>	4 CHANNELS
<b>ICKV108DTY</b>	8 CHANNELS

**HDMI Switch 4K HDR 4K 60Hz**

**HDMI 2.0** **4K ULTRA HD** **3D** ((HDCP))

**NEW**



**4K31HDR**

- » Switches easily between 3/5 HDMI sources
- » Supports resolution up to ultra HD 4Kx2K@60Hz and highest bandwidth up to 18 Gbps
- » Supports HDR
- » Supports HDMI 3D
- » Supports IR control and RS232
- » Plug and play, easy to use
- » Metal housing for more stability

**IDATA-HDMI2-4K31HDR** 3 CHANNELS  
**IDATA-HDMI2-4K51HDR** 5 CHANNELS

**HDMI Switch 4K UHD 3D**

**4K ULTRA HD** **Full HD 1080** **3D** ((HDCP))



**HDMI-4K51**

- » Switches easily between 3/5 HDMI sources like blueray players or DVD players to one HDMI output
- » With built-in HDCP 1.3 support for fast port selection
- » Supports Full HD 1080p to 4K and 3D

**IDATA-HDMI-4K31** 3 CHANNELS  
**IDATA-HDMI-4K51** 5 CHANNELS

**HDMI KVM Switch 4K, USB**



**KVM-HDMI2U**

- » KVM switch with HDMI video support: Allows sharing a keyboard, USB mouse and microphone between 2/4 computers with USB and HDMI
- » Supports a resolution of 4K@30 Hz and a UXGA resolution of UXGA 1920x1200
- » HDCP compatible

**IDATA-KVM-HDMI2U** 2 CHANNELS  
**IDATA-KVM-HDMI4U** 4 CHANNELS

**HDMI Switch Bidirectional 4K, UHD, 3D**

**4K ULTRA HD** **Full HD 1080** **3D** ((HDCP))



**HDMI-2BI**

- » Allows both the transition from 2/3 sources to one screen as well as from one source to 2/3 screens
- » Supports bandwidth of 250 MHz/2.5 Gbps per channel
- » Supports HDCP, compressed and uncompressed audio, all 3D formats

**IDATA-HDMI-2BI** 2 CHANNELS  
**IDATA-HDMI-3BI** 3 CHANNELS

**HDMI Switch Bidirectional 4K, UHD, 3D**

**4K ULTRA HD** **Full HD 1080** **3D** ((HDCP))



- » Supports resolutions of 1080p 3D and Ultra HD up to 4K2K @ 30Hz
- » Conformity with HDMI 1.4, HDCP, ARC, CEC
- » Supports digital audio signals 7.1-channel LPCM, Dolby TrueHD and DTS-HD master audio
- » No power source required
- » Manual selection key for switching between modes
- » Dual LEDs for status indication

**IDATA-HDMI-22BI** 2 CHANNELS

**HDMI 4x1 Multi-Viewer Switch, without delay**

**Full HD 1080** ((HDCP))



- » Supports up to 4 HD sources and it is capable of scaling and dimensioning the images and send them to a single Full HD display for multiple view
- » Compliant with HDCP 1.2
- » Supports High Definition resolution up to Full HD 1080p
- » Supports 4 in 1 Quad Multi-viewer and without delay
- » Operation on the front of the device as well as operation of IR and RS232

**IDATA-HDMI-41MV**

► **HDMI/VGA/AV Matrix Switch 4x4**  
with mixed inputs

**Full HD 1080p** ((HDCP))



- » With integrated scaling function and support for a variety of video formats
- » Intelligent EDID Management Multi-Viewer and Video-Wall option
- » Supports HDMI, VGA and composite videos as video source
- » Max. Output resolution: 1920x1080p@60 Hz
- » HDMI1.3, HDCP1.4 and DVI1.0 compliant
- » Supports RS232, Remote Control, Panel Control and TCP/IP

**IDATA-HDMI-MX944**

► **HDMI Matrix Switch 6x2 4K UHD 3D**

**4K ULTRA HD 3D** ((HDCP))



- » Allows visualization of up to 6 HDMI sources simultaneously on up to 2 screens
- » Compliant with HDCP2.2
- » Supports video formats up to 4Kx2K@30 Hz with 24 bit RGB/YCbCR 4:4:4/ YCbCR 4:2:2 and up to 4Kx2K@60 Hz with 12bit YCbCR 4:2:0, video format 3D up to 1080p@60 Hz
- » Supports MHL input for sharing photos, music and smartphone movies to the TV screen
- » Supports visualization functions PIP and ARC
- » Supports audio: HDMI1.4 compatible with audio interface Dolby TrueHD DTS-HD Master Audio 7.1CH

**IDATA-HDMI-H62**

► **HDMI Matrix 4 IN - 2 OUT 4K, UHD, 3D**

**4K ULTRA HD 3D** ((HDCP))



- » Matrix HDMI Switch with 4 Inputs and 2 Outputs
- » Distributes each of the four inputs in any combination to the two outputs
- » Supports a video resolution up to 4Kx2K
- » Supports a bandwidth of 340 MHz/3.4 Gbps per channel (10.2 Gbps all channels)
- » Supports deep color 12 bit per channel (36 bit all channels)
- » Supports HDCP 1.4 and 3D

**IDATA-HDMI-H42B**

► **HDMI Matrix Switch 4x4**  
4K with scaling function

**4K ULTRA HD** ((HDCP))

**NEW**



- » HDMI 4X4 Matrix Switch 4K@60Hz with 4 Inputs and 4 Outputs
- » Distributes each of the four inputs in any combination to the 4 outputs
- » HDCP2.2, HDR, 18 Gbps Bandwidth
- » Supports 7.1CH LPCM, Dolby TrueHD, Dolby Digital Plus, Dolby Atmos, DTS-HD Master Audio to DTS: X
- » Each of the 4 input ports supports the EDID function
- » IP operation, RS232, IR remote control as well as direct front operation on the device

**IDATA-HDMI-MX944G**

► **HDMI Matrix Switch**  
4Kx2K@30Hz

**4K ULTRA HD 3D** ((HDCP))

**NEW**



**HDMI-MX414**

- » HDMI HD Matrix Switch, with 4/8 HDMI inputs and 4/8 HDMI outputs
- » Supports resolutions up to 4Kx2K@30Hz
- » Transmission data rate up to 10.2Gbps
- » Supports IR remote control and RS232 control
- » Supports button control for switching inputs/outputs
- » Plug and play

**IDATA-HDMI-MX414** 4X4

**IDATA-HDMI-MX818** 8X8

**HDMI Matrix Switch 4K 60Hz**

**4K ULTRA HD** **Full HD 1080** **3D** ((HDCP))

**NEW**



**MX414**

- » Supports resolutions up to 4Kx2K@60Hz and 18Gbps transmission
- » Supports IR remote control, front button control and RS232 for switching inputs and outputs
- » Supports audio DTS-HD/Dolby-true HD/LPCM7.1/DTS/Dolby-AC3/DSD
- » Supports YUV 4:4:4; supports 3D
- » HDCP 2.2 compatible

<b>IDATA-HDMI2-MX412</b>	4X2
<b>IDATA-HDMI2-MX414</b>	4X4

**HDMI Matrix Extender 1080P up to 120m**

**Full HD 1080** ((HDCP))

**NEW**



- » Supports resolutions up to 1080p@60Hz Full HD
- » Transmission distance up to 120m via Cat. 6 cable
- » Supports IR control, front button control on the device, IR transmission with a frequency of 20-60KHz
- » With network management functions and IGMP/IGMP Snooping
- » Following functions are possible by using a network switch: point-to-multipoint, multipoint-to-point and multipoint-to-multipoint
- » Expandable with further MX383 extender

<b>IDATA-HDMI-MX383</b>	TRANSMITTER
<b>IDATA-HDMI-MX383R</b>	RECEIVER

**HDMI Matrix Extender 4K@60Hz up to 120m**

**4K ULTRA HD** **Full HD 1080** ((HDCP))

**NEW**



- » Supports a resolution up to 4Kx2K@60Hz Ultra HD
- » Transmission distance of up to 120m via Cat. 6 cable
- » Supports HDCP 2.2
- » Supports IR control, front button control on the device, IR transmission with a frequency of 20-60KHz
- » With network management functions and IGMP/IGMP Snooping
- » Expandable with further MX393 extender

<b>IDATA-HDMI-MX393T</b>	TRANSMITTER
<b>IDATA-HDMI-MX393R</b>	RECEIVER

**HDMI Matrix Extender 4K@30Hz up to 120m**

**4K ULTRA HD** **Full HD 1080** ((HDCP))

**NEW**



- » Supports a resolution up to 4Kx2K@30Hz
- » Transmission distance of up to 120m via Cat. 6 cable
- » Supports IR control, front button control on the device, IR transmission with a frequency of 20-60KHz
- » With network management functions and IGMP/IGMP Snooping
- » Expandable with further MX683 extender

<b>IDATA-HDMI-MX683T</b>	TRANSMITTER
<b>IDATA-HDMI-MX683R</b>	RECEIVER

**HDMI Matrix Switch 4 IN - 2 OUT 4K, UHD, 3D**

**4K ULTRA HD** **3D** ((HDCP))



- » Matrix Switch with 4 HDMI Inputs and 2 HDMI Outputs
- » Supports HDMI 1.4, Full 3D and 4K Video
- » Deep color: 12-bit Deep Full HD
- » Allows one of the four sources to be visualized on one of the two connected monitors or can act as a splitter to display the same source to 2 displays simultaneously
- » Audio: standard, DSD (Direct Stream Digital) and HD Audio (HBR)
- » HDCP compatible
- » Frequency range: 25 MHz - 340 MHz

**IDATA-HDMI-MX42**

> **VGA/Audio to HDMI Converter 1080p**



- >> Converts your VGA and stereo (Cinch) signal to a digital HDMI signal
- >> Supports maximum video resolution up to 1080p
- >> Supports bandwidth from 165 MHz/1.65 Gbps per channel
- >> Supports deep color with 8 bit per channel

**IDATA-CN-VGA**

> **VGA/Audio to HDMI Converter 1080p, with scaling function**



- >> Converter from VGA + 3.5mm Audio to HDMI 1.3 with resolution up to 720p or 1080p
- >> Allows you to play VGA and sound signals from VGA notebook/PCs to TVs with HDMI interface, with max. resolution: up to 1080p
- >> Supports HDCP 1.2
- >> Plug and Play

**IDATA-HDMI-VGA6**

> **Digital Audio to Analog Audio Converter**



- >> Converts digital coaxial or Toslink audio signals into an analog audio signal Cinch L/R
- >> Supports a sampling frequency from 32, 44.1, 48 and 96 KHz
- >> 24-bit S/PDIF input current to left and right channel

**IDATA-SPDIF-3**

> **S-Video + Cinch + Stereo Audio to HDMI Converter**



- >> S-Video + Cinch Audio/Video Converter to HDMI
- >> Output resolution: 720p@50/60Hz or 1080p@50/60Hz
- >> Supports 4:3 and 16:9 visualization
- >> Supports 3D HDMI output signal

**IDATA-SPDIF-5**

> **HDMI to AV in 3xRCA Converter**



- >> Allows conversion of a digital HDMI signal to an analog
- >> Supports maximum HDMI input resolution up to 1080p
- >> Supports analog composite video output up to 480i/NTSC or 576i/PAL
- >> Supports uncompressed stereo audio

**IDATA-SPDIF-4**

> **Cinch Converter S-Video + Stereo Audio to HDMI with scaling function**



- >> Composite video and L/R audio signal converter to HDMI with scaling function
- >> Video input: automatic detection PAL / NTSC 1.0Vp-p
- >> Impedance: 75Ohm
- >> Supported HDMI resolutions up to: 720p@50/60Hz, 1080p@50/60Hz

**IDATA-SPDIF-6E2**

> **HDMI to VGA Converter with Audio**



- >> Converts a digital HDMI signal to an analog VGA video signal with audio output
- >> Supports one bandwidth for HDMI input from 165MHz/1.65Gbps per channel
- >> Analog video output up to UXGA and 1080p resolution
- >> HDCP compliant
- >> Plug and Play

**IDATA-HDMI-VGA2A** HDMI TO VGA CONVERTER WITH AUDIO

**IDATA-HDMI-VGA-2AU** HDMI TO VGA CONVERTER WITH AUDIO AND MICRO-USB

> **HDMI to VGA Converter**



- >> Converts a digital HDMI signal to an analog VGA video signal
- >> Supports one bandwidth for HDMI input from 165MHz/1.65Gbps per channel
- >> Analog video output up to UXGA and 1080p resolution
- >> HDCP compliant
- >> Plug and Play

**IDATA-HDMI-VGA2**

> **Compacter HDMI to VGA Converter with Audio**

**NEW**



- >> Mini adapter for connecting PC and portable HDMI to a monitor or projector with VGA input
- >> Ultra-compact adapter; golden contacts
- >> Supports resolution Full HD (1080p)
- >> Audio transmission via 3.5mm stereo (cable included)
- >> HDCP compliant
- >> Plug and Play

**IDATA-HDMI-VGA2MABT**

> **VGA/Audio to HDMI Mini Converter**



- >> Allows connecting a notebook/PC with VGA output directly to a HDMI TV
- >> Converts VGA video signal to 3.5 mm female audio signal
- >> Power supply over USB micro-B port
- >> Simple and fast installation via Plug & Play

**IDATA-VGA-HDMINI**

> **SVGA and Audio to HDMI Converter**



- >> Converts the VGA video signal from the PC and the 2CH audio signal via USB into a complete HDMI signal
- >> Supports 165 MHz/1.65 Gbps per channel (bandwidth 6.75 Gbps - all channels)
- >> Supports color depths up to 8 bit per channel
- >> Power supply via USB

**IDATA-HDMI-VGA3**

> **Mini HDMI (Type C) to VGA Converter**

**Full HD 1080 ((HDCP))**



- >> Converts a digital HDMI signal to an analog VGA video signal
- >> Supports HDCP 1.2
- >> Supports 165 MHz/1.65 Gbps per channel (bandwidth 6.75 Gbps - all channels)
- >> Analog video output up to UXGA and 1080p with 10-bit DAC

**IDATA-HDMI-VGA4**



## > HDMI Audio-Extractor

Stereo/5.1 4K 3D



- » Allows you to extract the audio signal from your HDMI signal
- » Solution to extract your audio signal for your 5.1 amplifier (Toslink) and restore from Dolby 5.1 or DTS Multi-Channel for a perfect home theater system
- » Allows sending an audio signal to a 2-channel system
- » Compliant with HDMI 1.4 and HDCP
- » Allows resolution 4Kx2K and 3D
- » Supports uncompressed audio data LPCM and compressed audio data like DTS Digital, Dolby Digital

**IDATA-HDMI-VGA8**

## > HDMI Audio-Extractor

to Toslink and RCA R/L



- » Allows extracting the audio signal from the HDMI source and converting to Toslink and Audio (RCA R/L)
- » Allows separate synchronization of the audio signal. Choice between 3 output modes (continuous audio / 2 channels / 5 channels)
- » Supports resolution up to 1080p (50/60 Hz)

**IDATA-HDMI-EA**

## > HDMI Audio-Extractor

to LPCM 2CH / 7.1



- » HDMI Audio-Extractor, stereo compatible 2CH (EA4K) or 7.1 (EA74K)
- » Allows you to extract the audio signal from a HDMI source and convert it to optical digital or analog multi-channel audio
- » With built-in selector switch to select audio source and EDID between: LPCM 2CH (EA4K)/7.1 (EA74K), TV or Bitstream
- » Compliant with HDMI, HDCP 1.2 and DVI 1.0
- » Allows resolution 4Kx2K and 3D

**IDATA-HDMI-EA4K**

HDMI AUDIO-EXTRACTOR TO LPCM 2CH 4K, UHD, 3D

**IDATA-HDMI-EA74K**

HDMI AUDIO-EXTRACTOR TO LPCM 7.1, 4K, UHD, 3D

## > 3G-SDI to HDMI Converter



- » Converter SDI to HDMI 1.3
- » Allows visualization with a telecamera. HD-SDI captured images are directly transferred to a HDMI TV
- » Supports SD-SDI, HD-SDI, 3G-SDI
- » Supports resolution 720p@50 Hz/60 Hz or 1080p@50 Hz/60 Hz
- » Supports HDCP 1.2

**IDATA-HDMI-SDI**

## > HDMI 4K2K Audio Inserter



- » Allows you to insert an external audio signal into your HDMI signal
- » Supports resolution 4K2K @ 30Hz and 3D
- » Compliant with HDMI, HDCP 1.2 and DVI 1.0
- » Supports HDMI audio sampling rate up to 192 kHz
- » Supports Optical S/PDIF audio sampling rate up to 192 kHz
- » Connector IN: 1x HDMI, 1x 3.5mm audio female
- » Connector OUT: 1x HDMI

**IDATA-HDMI-AI4K**

## > Audio Extender 2x Cinch over RJ45 Cat.5e



- » Audio switch for amplifiers and speakers
- » Transmits the stereo L + R audio signal over a Cat.5e network cable
- » Extensor connections:
  - 1x RJ45 female
  - 2x Cinch (RCA) male
- » The package includes a set of extender (Transmitter and Receiver)

**IDATA-AU-EXTRJ45**

# Multimedia- Cabling

---





**HDMI High Speed with Ethernet Cable 4K 60Hz**



- » Gold-plated plugs  
HDMI A 19-pin to HDMI A 19-pin
- » Maximum resolution: Ultra HD 4K 4096 x 2160 @ 60Hz
- » Supports HDMI with Ethernet, 3D video, 4K @ 60Hz Display, deep color and ARC

<b>ICOC-HDMI2-4-005</b>	BLACK 0.5 M
<b>ICOC-HDMI2-4-010</b>	BLACK 1 M
<b>ICOC-HDMI2-4-020</b>	BLACK 2 M
<b>ICOC-HDMI2-4-030</b>	BLACK 3 M
<b>ICOC-HDMI2-4-060</b>	BLACK 6 M

**HDMI 10K, 8K, 4K Video Cable, 48 Gbit/s**



- » Supports 4K@120Hz, 8K@60Hz and 10K@30Hz with a bandwidth of 48Gbps
- » Supports Dynamic HDR, Display Stream Compression (DSC) 1.2, Enhanced Audio Return Channel (eARC), Variable Refresh Rate (VRR), Quick Media Switching (QMS), Quick Frame Transport (QFT)

<b>ICOC-HDMI21-8-010</b>	1 M
<b>ICOC-HDMI21-8-020</b>	2 M

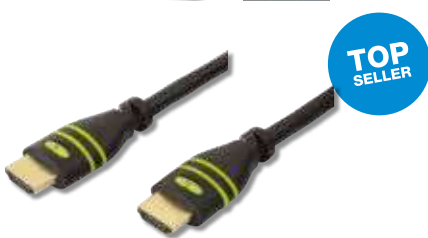
**HDMI 4K 60Hz AOC Hybrid Cable**



- » Thinner, lighter and softer than the traditional copper cable
- » Supports a long transmission distance
- » Highly resistant with EMI and RFI
- » Supports high resolutions: 4K @ 60Hz UHD
- » Supports devices in HDR 4K format
- » Data rate: 18 Gbps

<b>ICOC-HDMI-HY2-010</b>	10 M
<b>ICOC-HDMI-HY2-020</b>	20 M
<b>ICOC-HDMI-HY2-030</b>	30 M
<b>ICOC-HDMI-HY2-050</b>	50 M
<b>ICOC-HDMI-HY2-070</b>	70 M
<b>ICOC-HDMI-HY2-100</b>	100 M

**HDMI High Speed with Ethernet Cable Black**



- » Gold-plated plugs  
HDMI A 19-pin to HDMI A 19-pin
- » Maximum resolution: Ultra HD 4K 4096x2160 @ 30Hz up to 7.5 m, larger 7.5 m 1080p
- » Supports HEC, ARC, deep color and 3D with resolution far over 1080p

<b>ICOC-HDMI-4-005</b>	BLACK 0.5 M
<b>ICOC-HDMI-4-010</b>	BLACK 1 M
<b>ICOC-HDMI-4-020</b>	BLACK 2 M
<b>ICOC-HDMI-4-030</b>	BLACK 3 M
<b>ICOC-HDMI-4-050</b>	BLACK 5 M
<b>ICOC-HDMI-4-100</b>	BLACK 10 M
<b>ICOC-HDMI-4-150</b>	BLACK 15 M
<b>ICOC-HDMI-4-250</b>	STANDARD SPEED BLACK 25 M

**HDMI High Speed with Ethernet Cable White**



- » Gold-plated plugs  
HDMI A 19-pin to HDMI A 19-pin
- » Maximum resolution: Ultra HD 4K 4096x2160 @ 30Hz
- » Supports HEC, ARC, deep color and 3D with resolution far over 1080p

<b>ICOC-HDMI-4-010WH</b>	WHITE 1 M
<b>ICOC-HDMI-4-020WH</b>	WHITE 2 M
<b>ICOC-HDMI-4-030WH</b>	WHITE 3 M
<b>ICOC-HDMI-4-050WH</b>	WHITE 5 M
<b>ICOC-HDMI-4-100WH</b>	WHITE 10 M

**HDMI High Speed with Ethernet Cable with Amplifier**



- » Gold-plated plugs  
HDMI A 19-pin to HDMI A 19-pin
- » With active amplifier, compliant to HDMI 1.3 and up to 1080p
- » Supports HEC, ARC, deep color and 3D with resolution far over 1080p

<b>ICOC-HDMI-A-250</b>	WITH AMPLIFIER BLACK 25 M
------------------------	---------------------------

► **HDMI High Speed Cable with Ethernet Ferrite**



- » Gold-plated connector  
HDMI A 19-pin to HDMI A 19-pin
- » Maximum resolution:  
Ultra HD 4K 4096x2160 @ 30Hz
- » Supports HEC, ARC, deep color and 3D with resolution far over 1080p

<b>ICOC-HDMI-FR-020</b>	BLACK WITH FERRITE 2 M
<b>ICOC-HDMI-FR-030</b>	BLACK WITH FERRITE 3 M
<b>ICOC-HDMI-FR-050</b>	BLACK WITH FERRITE 5 M
<b>ICOC-HDMI-FR-150</b>	BLACK WITH FERRITE 15 M

► **HDMI-Cable High Speed with Ethernet angled**



- » Maximum resolution:  
Ultra HD 4K 4096 x 2160 @ 30Hz
- » Supports 3D with resolution up to 1080p
- » Supported: ARC, HEC, HDCP and deep color

<b>ICOC-HDMI-LE-05</b>	BLACK 0.5 M
<b>ICOC-HDMI-LE-010</b>	BLACK 1 M
<b>ICOC-HDMI-LE-020</b>	BLACK 2 M
<b>ICOC-HDMI-LE-050</b>	BLACK 5 M

► **HDMI High Speed with Ethernet extension Cable 4K 30Hz**



- » HDMI 19-pin male to HDMI 19-pin female
- » Supports HDMI Ethernet, ARC, 3D Video, 4K @ 30Hz video resolution and deep color
- » Up to 10.2 Gbps @ 340 MHz bandwidth
- » Fully shielded to reduce electromagnetic interference (EMI) and other sources of interference

<b>ICOC-HDMI-4-EXT010</b>	1 M
<b>ICOC-HDMI-4-EXT018</b>	2 M
<b>ICOC-HDMI-4-EXT030</b>	3 M
<b>ICOC-HDMI-4-EXT050</b>	5 M
<b>ICOC-HDMI-4-EXT075</b>	7 M

► **HDMI High Speed with Ethernet Cable Ultra Slim**



- » Ultra-thin cable with gold-plated plugs
- » Maximum resolution:  
Ultra HD 4K 4096x2160 @ 30Hz
- » Supports 3D with resolution up to 1080p
- » Supported: ARC, HEC, HDCP and deep color

<b>ICOC-HDMI-SL-010W</b>	WHITE 1 M
<b>ICOC-HDMI-SL-018W</b>	WHITE 1.8 M
<b>ICOC-HDMI-SL-030W</b>	WHITE 3 M

► **HDMI High Speed with Ethernet Flat-Cable 4K 60Hz**



- » Supports HDMI with Ethernet, 3D video, 4K @ 60Hz Display, deep color and ARC
- » Bandwidth: 18 Gbps at 600 MHz
- » Connector: 2x HDMI 19 pin plugs
- » Gold-plated contacts

<b>ICOC-HDMI2-FE-005TY</b>	BLACK 0.5 M
<b>ICOC-HDMI2-FE-010TY</b>	BLACK 1 M
<b>ICOC-HDMI2-FE-020TY</b>	BLACK 2 M
<b>ICOC-HDMI2-FE-030TY</b>	BLACK 3 M
<b>ICOC-HDMI2-FE-050TY</b>	BLACK 5 M

► **HDMI High Speed with Ethernet Flat-Cable 4K 30Hz**



- » Supports 3D with resolution up to Ultra HD 4K 4096x2160 @ 30Hz
- » Flat-Cable with 2x gold-plated HDMI A plug
- » Supports HDCP, HEC, ARC, color range DSC and sYCC601, deep color and Color x.v.

<b>ICOC-HDMI-FE-010</b>	BLACK 1 M
<b>ICOC-HDMI-FE-020</b>	BLACK 1.5 M
<b>ICOC-HDMI-FE-050</b>	BLACK 5 M
<b>ICOC-HDMI-FE-100</b>	BLACK 10 M
<b>ICOC-HDMI-FE-150</b>	BLACK 15 M

> **HDMI High Speed with Ethernet Cable to Mini HDMI**



- >> HDMI cable Mini-C male 19-pin (Type C) to HDMI A male 19-pin, gold-plated plugs
- >> Supports HD audio resolution far over 4K and HEC, ARC, deep color
- >> Up to 10.2 Gbps with 340 MHz bandwidth

<b>ICOC-HDMI-B-015</b>	BLACK 1.8 M
<b>ICOC-HDMI-B-025</b>	BLACK 3 M
<b>ICOC-HDMI-B-050</b>	BLACK 5 M

> **HDMI to DVI-D Connection Cable**



**ICOC-HDMI-D-010**

- >> HDMI 19-pin A male to DVI-D 24 + 1 plug with gold contacts
- >> Supported resolution up to 1080p

<b>ICOC-HDMI-D-010</b>	DP 1.1 BLACK 2 M
<b>ICOC-HDMI-D-018</b>	DP 1.1 BLACK 3 M
<b>ICOC-HDMI-D-030</b>	DP 1.2 BLACK 1 M
<b>ICOC-HDMI-D-045</b>	DP 1.2 BLACK 2 M
<b>ICOC-HDMI-D-100</b>	DP 1.2 BLACK 3 M

> **HDMI High Speed with Ethernet Cable to HDMI Micro D**



- >> HDMI cable Mico D male 19-pin (Type D) to HDMI A male 19-pin
- >> Supports HD resolution far over 1080p, deep color, ARC and HEC
- >> Bandwidth: 10.2 Gbps

<b>ICOC-HDMI-4-AD1</b>	BLACK 1 M
<b>ICOC-HDMI-4-AD2</b>	BLACK 2 M
<b>ICOC-HDMI-4-AD3</b>	BLACK 3 M
<b>ICOC-HDMI-4-AD5</b>	BLACK 5 M

> **HDMI to DVI Adapter**



- >> Adapts the existing cable connection to allow connection to new sources and screens without having to completely replace the existing cables

<b>IADAP-DVI-HDMI-F</b>	HDMI FEMALE TO DVI-D 24+1 DUAL LINK PLUG
<b>IADAP-HDMI-606</b>	HDMI MALE TO DVI-D 24+1 DUAL LINK FEMALE
<b>IADAP-HDMI-644</b>	HDMI FEMALE TO DVI-D 24+1 DUAL LINK FEMALE
<b>IADAP-HDMI-651</b>	HDMI FEMALE TO DVI-D 18+1 SINGLE LINK PLUG

> **HDMI to HDMI Adapter**



<b>ICOC-HDMI-F-002</b>	VIDEOCABLE SPLITTER
<b>IADAP-HDMI-F/F</b>	HDMI FEMALE / FEMALE
<b>IADAP-HDMI-R</b>	HDMI MALE / FEMALE RIGHT 90°
<b>IADAP-HDMI-L</b>	HDMI MALE / FEMALE TOP 90°
<b>IADAP-HDMI-270</b>	HDMI MALE / FEMALE 270°
<b>IADAP-HDMI-MC</b>	HDMI F TO HDMI MINI C MALE
<b>IADAP-HDMI-MD</b>	HDMI F TO HDMI MICRO D MALE

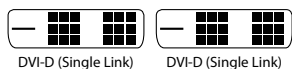
> **DVI Adapter**



- >> Converts a DVI-I female to a DVI-D plug (Mod. DVI-9000)
- >> Converts a DVI female to VGA (Mod. DVI-9100)

<b>IADAP-DVI-9000</b>	ADAPTER DVI
<b>IADAP-DVI-9100</b>	ADAPTER DVI

## > DVI-D (Single-Link) Connection Cable male/male

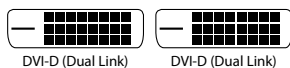


- >> Connection cable DVI-D Single-Link (18+1) male/male
- >> Allows over-carrying from digital video signals from PC to screen
- >> Supports resolution up to Full HD 1080p or 1920x1200

**ICOC-DVI-8000** BLACK 1.8 M

**ICOC-DVI-8050** BLACK 5 M

## > DVI-D (Dual-Link) Connection Cable male/male with Ferrite



- >> Connection cable DVI-D Dual-Link (24+1) female/male and Ferrite
- >> Allows transmission of digital video signals from PC to screen
- >> Supported resolution Full HD 1080p to WQXGA (2560x1600)

**ICOC-DVI-8100F** BLACK 2 M

**ICOC-DVI-8130F** BLACK 3 M

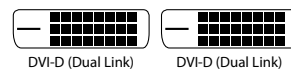
**ICOC-DVI-8150F** BLACK 5 M

**ICOC-DVI-811CF** BLACK 10 M

**ICOC-DVI-8115F** BLACK 15 M

**ICOC-DVI-8120F** BLACK 20 M

## > DVI-D (Dual-Link) Connection Cable male/male



- >> Connection cable DVI-D Dual-Link (24+1) male/male
- >> Allows digital video transmission from PC to screen
- >> Supports resolution Full HD 1080p to WQXGA

**ICOC-DVI-8105** BLACK 0.5 M

**ICOC-DVI-8100** BLACK 1.8 M

**ICOC-DVI-8130** BLACK 3 M

**ICOC-DVI-8150** BLACK 5 M

**ICOC-DVI-811C** BLACK 10 M

## > DisplayPort to DVI Connection Cable



- >> Connection cable from DisplayPort 20-pin male to DVI 24-pin + 1 male
- >> Supports a resolution up to 1080p

**ICOC-DSP-C-020** DP 1.1 BLACK 2 M

**ICOC-DSP-C-030** DP 1.1 BLACK 3 M

**ICOC-DSP-C12-010** DP 1.2 BLACK 1 M

**ICOC-DSP-C12-020** DP 1.2 BLACK 2 M

**ICOC-DSP-C12-030** DP 1.2 BLACK 3 M

## > DisplayPort to HDMI Connection Cable



- >> Connection cable from DisplayPort 20-pin male to HDMI 19-pin male
- >> Supports deep color, applications with bandwidth 10.8 and resolution up to 4Kx2K (DP1.2) and 1080P (DP1.1)

**ICOC-DSP-H-010** DP 1.1 BLACK 1 M

**ICOC-DSP-H-020** DP 1.1 BLACK 2 M

**ICOC-DSP-H-030** DP 1.1 BLACK 3 M

**ICOC-DSP-H-050** DP 1.1 BLACK 5 M

**ICOC-DSP-H12-010** DP 1.2 BLACK 1 M

**ICOC-DSP-H12-020** DP 1.2 BLACK 2 M

**ICOC-DSP-H12-030** DP 1.2 BLACK 3 M

## > DisplayPort to VGA Connection Cable



- >> DisplayPort cable 20-pin Connector to VGA HD15-pin male
- >> Connects the DisplayPort from your PC to a VGA screen, projector, etc.
- >> Supports deep color, applications with frequency width from 10.8 Gbps and resolution up to 1080p to displays 1920 x 1200 (WUXGA)

**ICOC-DSP-V-018** BLACK 1.8 M

**ICOC-DSP-V-030** BLACK 3 M

## > DisplayPort 1.2 Connection Cable



- » Cable DisplayPort 20-pin male to DisplayPort 20-pin male
- » Supports a resolution of 4K @ 60Hz
- » Shielded for better EMC properties

<b>ICOC-DSP-A-005</b>	BLACK 0.5 M
<b>ICOC-DSP-A-010</b>	BLACK 1 M
<b>ICOC-DSP-A-020</b>	BLACK 2 M
<b>ICOC-DSP-A-030</b>	BLACK 3 M
<b>ICOC-DSP-A-050</b>	BLACK 5 M
<b>ICOC-DSP-A-075</b>	BLACK 7.5 M
<b>ICOC-DSP-A-100</b>	BLACK 10 M

## > DisplayPort 1.4 Connection Cable



- » Compatible with DisplayPort 1.4 Standard
- » Supports bandwidth from 32.4 Gbps
- » Supports High Definition Video, Multi-channel Digital Audio, DPCP, HDCP and Dual Mode (DP ++)
- » Supports a resolution up to 8K @ 60Hz or 4K @ 120Hz
- » Fully shielded for better EMC properties

<b>ICOC-DSP-A14-005</b>	0.5 M
<b>ICOC-DSP-A14-010</b>	1 M
<b>ICOC-DSP-A14-020</b>	2 M

## > DisplayPort AOC Hybrid Cable 8K 60Hz



- » Max. resolution up to 8K @ 60Hz or 4K @ 120Hz
- » Supports data transmission over long distances
- » Supports bandwidth from 32.4 Gbps
- » Very good EMC properties

<b>ICOC-DSP-HY-010</b>	10 M
<b>ICOC-DSP-HY-020</b>	20 M
<b>ICOC-DSP-HY-030</b>	30 M
<b>ICOC-DSP-HY-050</b>	50 M

## > DisplayPort to Mini-DisplayPort Cable



- » Cable with Mini-DisplayPort 20-Pin male (Thunderbolt) to DisplayPort 20-Pin male; Max. 10.8 Gbps data rate and a resolution from 2560 x 1600 (WQXGA) with HDCP

<b>ICOC-MDP-010</b>	CABLE 1M
<b>ICOC-MDP-020</b>	CABLE 2M

## > Mini-DisplayPort to HDMI Cable



- » Cable with Mini-DisplayPort 20-Pin male (Thunderbolt) to HDMI male; Max. resolution from 1920 x 1080 (FullHD)

<b>ICOC-MDP-020H</b>	CABLE 2M
----------------------	----------

## > 3-in-1 DisplayPort v.1.2 Adapter



- » Supports DisplayPort 1.2 Dual Mode input
- » Max. resolution for DVI up to 1080p @ 60Hz, HDMI resolution up to 4Kx2K @ 30Hz, DisplayPort resolution up to 4Kx2K @ 60Hz (COMBOF3)
- » Max. Solution for VGA: 1920x1200 (COMBOF2)

<b>IADAP-DP-COMBOF2</b>	FROM DISPLAYPORT TO DVI/HDMI/VGA
<b>IADAP-DP-COMBOF3</b>	FROM DISPLAYPORT TO DVI/HDMI/ DISPLAYPORT



## ➤ Adapter - DisplayPort male to HDMI female



- » Converts DisplayPort signal to a HDMI signal
- » Supports deep color, applications with bandwidth 10.8 Gbps and a resolution up to 1920 x 1200

**IADAP-DSP-212**

## ➤ Adapter - DisplayPort male to VGA female



- » Converts the DisplayPort signal to a VGA signal
- » Supports deep color, frequency bandwidth 10.8 Gbps and resolution up to screens 1920 x 1200 (WUXGA)

**IADAP-DSP-250**

**ICOC-DSP-V-001**

## ➤ Adapter - DisplayPort male to DVI-I 24+5 Port female



- » Converts the DisplayPort signal to a DVI-I Dual-Link signal (24+5)
- » Supports deep color, 10.8 Gbps bandwidth and resolution up to 1920 x 1200

**IADAP-DSP-229**

## ➤ Adapter - DisplayPort 1.2 male to VGA female compact



- » Converts the DisplayPort 1.2 signal to a VGA signal
- » Supports deep color, 10.8 Gbps bandwidth and resolution up to 1080p and 1920 x 1200 (WQXGA)

**IADAP-DSP-230**

**IADAP-DSP-230T**

## ➤ DisplayPort v1.2 to HDMI/VGA Adapter



- » HDMI resolution up to 4Kx2K @ 30Hz (VH12) and resolution up to 4Kx2K @ 60Hz (VH1220)
- » Supports VGA resolution up to 1920 x 1200 @60HZ
- » Support 3D format and compliant with lower versions
- » Supports HDCP and EDID pass-through from PC source to display

**ICOC-DSP-VH12** 4K@30HZ

**ICOC-DSP-VH1220** 4K@60HZ

## ➤ Mini-DisplayPort male to DisplayPort female Adapter



- » The adapter from Mini DisplayPort male to DisplayPort female
- » Transforms data from a Mini DisplayPort notebook/laptop to a DisplayPort display

**IADAP-DP-MDP**

## ➤ Adapter - DisplayPort 1.2 male to HDMI female 15 cm



- » Active Adapter from DisplayPort 20-pin male to HDMI 19-pin female
- » Supports maximum video resolution up to 4Kx2K @ 30 Hz

**IADAP-DP-HDMIF2**

## ➤ Adapter - DisplayPort 1.2 male to DVI female 15 cm



- » Active Adapter from DisplayPort 20-pin male to DVI-D Dual-Link (24+1) female
- » Supports maximum video resolution up to 1920x1080 @ 60 Hz

**IADAP-DP-DVIF2**

➤ **Adapter - Mini-DisplayPort male to HDMI female**



- » Adapter from Mini-DisplayPort 20-pin Male (Thunderbolt) to HDMI 19-pin female
- » Supports a maximum video resolution of 1080p

**IADAP-MDP-HDMIF**

➤ **Adapter - Mini-DisplayPort male 1.2 to HDMI female**



- » Active Adapter from Mini-DisplayPort 20-pin Male (Thunderbolt) v.1.2 to HDMI 19-pin female
- » Supports a video resolution of 4Kx2K@30 Hz and 3D

**IADAP-MDP-HDMIF12**

➤ **Adapter - Mini-DisplayPort 1.2 male to HDMI/VGA female**



- » Supports HDMI resolution up to 4kx2k @30HZ
- » Supports VGA resolution up to 1920 x 1200 @ 60HZ
- » Support 3D format and compliant with lower versions
- » Supports HDCP and EDID pass-through from PC source to display

**IADAP-MDP-VGAH12**

➤ **Adapter - Mini-DisplayPort 1.2 male to DVI female**



- » Active Adapter from Mini-DisplayPort v.1.2 Male (Thunderbolt) to DVI-I Dual Link (24+5) female
- » Supports resolution: 1920x1080@60Hz

**IADAP-MDP-DVIF12**

➤ **Adapter - Mini-DisplayPort male to VGA female**



- » Adapter-cable from Mini-DisplayPort (Thunderbolt) to VGA
- » Supports resolution up to WQXGA

**IADAP-MDP-VGAF**

ADAPTER DP1.1 VGA

**IADAP-MDP-VGAF2**

ADAPTER DP1.2 VGA

➤ **Adapter - Mini-DisplayPort 1.2 male to HDMI/DVI/VGA female**



- » Converter from Mini-DisplayPort v1.2 to HDMI/DVI/VGA
- » Maximum resolution: VGA - 1920x1200; DVI - 1080p, 720p; HDMI - 4Kx2K, 1080p, 720p, HDMI and Audio

**IADAP-MDP-COMBOF12**

➤ **Adapter - Mini-DisplayPort male to DVI female**



- » Active Adapter from Mini-DisplayPort v.1.1 Male (Thunderbolt) to DVI-I Dual Link (24+5) female
- » Maximum resolution: Full HD 1080p (60 Hz)

**IADAP-MDP-DVIF**

➤ **Mini-DisplayPort V.1.4 (Thunderbolt) Monitor Cable**

**NEW**



- » Allows connecting e.g. an Apple Computer to an external Monitor
- » Maximum resolution: 4K Ultra HD 2160p @ 60Hz
- » Compatible with DisplayPort 1.4

**ICOC-MDP-14-020**

2 M

➤ **USB 3.0 Super Speed Cable** Male Type A - Male Type Micro B



- » Allows connection up to 5 Gbps
- » Connections: USB 3.0 Type A Male to USB 3.0 Micro B male
- » Fully shielded to reduce electromagnetic interference

<b>ICOC-MUSB3-A-005</b>	0.5 M
<b>ICOC-MUSB3-A-010</b>	1 M
<b>ICOC-MUSB3-A-020</b>	2 M
<b>ICOC-MUSB3-A-030</b>	3 M
<b>ICOC-MUSB3-FL-005</b>	FLAT 0.5 M
<b>ICOC-MUSB3-FL-010</b>	FLAT 1 M

➤ **USB 3.0 Super Speed Cable** Male Type A - Male Type B



- » Allows connection up to 5 Gbps between a USB peripheral and a hub or computer USB SuperSpeed
- » Connections: USB 3.0 Type A Male to USB 3.0 Type B Male
- » Fully shielded to reduce electromagnetic interference

<b>ICOC-U3-AB-005-BL</b>	BLUE 0.5 M
<b>ICOC-U3-AB-10-BL</b>	BLUE 1 M
<b>ICOC-U3-AB-20-BL</b>	BLUE 2 M
<b>ICOC-U3-AB-30-BL</b>	BLUE 3 M

➤ **USB 3.0 Super Speed Extension Cable** Male Type A - Female Type A



- » Extension cable USB 3.0 with connections Type A Male to USB 3.0 Type A Female
- » Supports speeds up to 5 Gbps
- » Fully shielded to reduce electromagnetic interference

<b>ICOC-U3-AA-005-EX</b>	BLUE 0.5 M
<b>ICOC-U3-AA-10-EX</b>	BLUE 1 M
<b>ICOC-U3-AA-20-EX</b>	BLUE 2 M
<b>ICOC-U3-AA-30-EX</b>	BLUE 3 M

➤ **USB2.0 Cable Male Type A - Male Type B 90°**



- » USB2.0 A Male to USB2.0 B Male 90°
- » To connect a USB device to the computer's USB port or hub
- » Speed up to 480 Mbps

<b>ICOC-U-AB-005-ANG</b>	0,5 M
<b>ICOC-U-AB-10-ANG</b>	1 M
<b>ICOC-U-AB-20-ANG</b>	2 M
<b>ICOC-U-AB-30-ANG</b>	3 M

➤ **USB2.0 Cable Male Type A - Mini B Male 90°**



- » USB 2.0 A Male to USB2.0 Mini B Male 90°
- » Connects USB devices with the USB Port of PC's or USB Hub's

<b>ICOC-MUSB-AA-018ANG</b>	1.8 M
----------------------------	-------

➤ **USB2.0 Apple Connector Cable** Type A - Lightning, white



- » USB2.0 - Lightning Cable 8p for charging and data synchronization
- » Allows you to connect the device with Apple Lightning connector to the computer's USB port for charging and syncing the device
- » Allows even charging the device by connecting it to a USB power outlet
- » Apple Certified MFI
- » 'Made for iPod / iPhone / iPad

<b>ICOC-APP-8WH</b>	IN POLYBAG	1 M
<b>ICOC-APP-8WHTY</b>	IN DESIGN CARTON	1 M

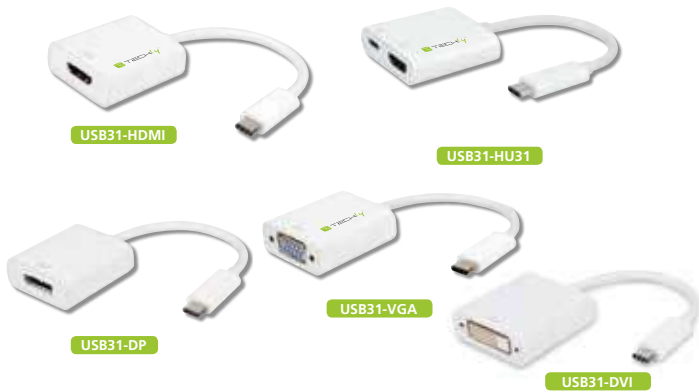
➤ **USB2.0 High Speed Cable** Male Type A - Micro, with Reversible Connectors Black



- » USB / Micro Hi-Speed USB reversible connectors, allowing the inclusion in any direction, both facing upwards and downwards, regardless of their orientation
- » Ideal for connecting PC peripherals such as hard drives, printers and more, supports data rates up to 480 Mbps. Connects two devices for synchronization, data transfer or charging

<b>ICOC-MUSB-A-010S</b>	1 M
<b>ICOC-MUSB-A-020S</b>	2 M

➤ **USB Type-C™ Adapter-Cable**



- » Adapter-Cable from USB-C Male to HDMI / VGA / DVI
- » Thunderbolt 3 compatible
- » Cable length: aprox. 15 cm

<b>IADAP-USB31-HDMI</b>	ADAPTER FROM USB-C TO HDMI
<b>IADAP-USB31-DVI</b>	ADAPTER FROM USB-C TO DVI
<b>IADAP-USB31-VU31</b>	ADAPTER FROM USB-C TO VGA WITH EXTRA USB-C PORT
<b>IADAP-USB31-HU31</b>	ADAPTER FROM USB-C TO HDMI WITH ADDITIONAL USB-C PORT
<b>IADAP-USB31-DP</b>	ADAPTER FROM USB-C TO DISPLAYPORT
<b>IADAP-USB31-VGA</b>	ADAPTER FROM USB-C TO VGA

➤ **USB-C™ Multiport Dockingstation**



- » The USB 3.0 port allows you to connect a USB device to a host computer or another hub
- » USB-C™ female port for charging another device
- » VGA or HDMI port allows you to connect a monitor or TV so that you can watch videos or slideshows on a big screen
- » Gigabit Ethernet Port for connecting to your Network/PC

<b>IADAP-USB31-DOCK1</b>	WITH HDMI, RJ45, USB3.0 AND USB-C™ PORTS
<b>IADAP-USB31-DOCK2</b>	WITH VGA, RJ45, USB3.0 AND USB-C™ PORTS
<b>IADAP-USB31-DOCK3</b>	WITH HDMI, VGA, RJ45, USB3.0, USB-C™ PORTS AND SD/MICROSD SLOT

➤ **USB-C™ to 3.5mm Stereo female**



- » Digital/Analog converter supports up to 192 KHz 16/24 bit output
- » Analog/Digital converter supports up to 96 KHz 16 Bit input

**IUSB-DAC-248C**

➤ **USB-C™ to HDMI2.0 Adapter-Cable**



- » Resolution up to 3840x2160 (4K) at 60Hz with RGB and YCbCr4:4:4
- » Supports 3D, HDCP 2.2
- » Length: 2 m

**IADAP-USBC-HDMI2TY**

➤ **USB Gigabit Ethernet Adapter with 3-Port USB3.0 Hub**



- » Adds a Gigabit network connection to a notebook via a USB port and provides 3 USB 3.0 ports to connect additional peripherals
- » 3 USB3.0 Superspeed ports with transfer rate up to 5 Gbps
- » Gigabit Ethernet (RJ45) port supports full-duplex transfer

**IDATA-USB-ETGIGA-3C2** USB-C™

**IDATA-USB-ETGIGA-3U2** USB3.0

➤ **USB-C™ Gigabit Ethernet Adapter**



- » Allows a computer or notebook to connect to Gigabit Ethernet via the USB3.0 port
- » Supports Plug and Play, no need to install software
- » Automatic 10/100/1000 Mbps
- » Supports Wake-on-LAN and 'RealWoW!' (Wake-on-LAN) Technology
- » Supports twisted pair detection and auto-correction (HP Auto-MDIX)
- » USB bus powered (no external power required)

**IADAP-USB31-ETGIGA**

**IADAP-USB31-ETGIGA2** WITH USB TYPE C™ PORT FOR CHARGING

> **USB3.0 to Gigabit Ethernet Adapter**



- » Allows your PC/Notebook/Tablet/Macbook to connect to your Gigabit Ethernet (RJ45) network via your USB3.0 port
- » Supports USB Super / High / Full Speed Mode with Auto-detection function

**IDATA-USB-ETGIGA3T**

> **USB3.0 Active Extender Cable, 5m**



- » Extends and amplifies the USB signal
- » Supports transmission speeds up to 5 Gbps
- » Integrated amplifier ensures stable USB3.0 quality
- » Extends the USB3.0 connection by 5m
- » Plug and Play; Windows and Mac compatible
- » Bus-powered (power supply via USB port)

**ICUR3050**

> **USB Extender over Cat. 5e/6 Cable 60 m**



EXTENDTY2



EXTEND604

- » Extends the signal from keyboard/mouse, printers, barcode scanners, digital cameras and other USB devices over Cat.5e/6 cable
- » Maximum distance: up to 60m
- » Transmission speed: 12 Mbps

**IUSB-EXTENDTY2**

**IUSB-EXTEND604** WITH 4-PORT HUB

> **USB2.0 to Fast Ethernet Adapter**



USB2TY2

- » Allows the network to connect to your PC over USB2.0
- » Supports Half / Full Duplex Mode for Fast Ethernet
- » Plug and Play Installation
- » Hot-Swappable (usable during operation)

**IDATA-ADAP-USB2TY**

**IDATA-ADAP-USB2TY2**

> **USB2.0 Active Extender Cable**



- » Extends the USB signal - Supports data transmission rate up to 480 Mbps
- » Integrated amplifier ensures stable USB2.0 HighSpeed quality
- » Model IUSB-REP10TY: Cascadable up to 3x for a total length of 30m
- » Plug and Play; Compatible with Windows and Mac
- » Bus-powered (no external power supply required)

**IUSB-REP10TY** 10 M

**IUSB-REP220TY2** 20 M

> **USB to Serial RS232 Converter**



SER-2T

- » Converts the RS232 signal to USB signal
- » Easy and fast connection to modems, digital cameras, printers, card readers, barcode scanners...
- » Windows compatible - Plug and Play; hot-swappable
- » Model IDATA-USB-SER-2T supports USB1.1 specification
- » Model IDATA-USB2-SER-1 supports USB2.0 specification

**IDATA-USB-SER-2T** USB1.1 CABLE 0.45M

**IDATA-USB2-SER-1** USB2.0 CABLE 1.5M

**USB 2.0 Pocket High Speed Hub 4-Port**

**NEW**



- » Provides 4 Hi-Speed USB ports for additional devices
- » Built-in and retractable USB cable
- » Protection against current overloads, hot-swappable

**IUSB2-HUB599TY**

**USB 2.0 Mini High Speed Hub 4-Port**



**HUB4-BKTY**



**HUB4-WHTY**

- » USB 2.0 transfer rates up to 480 Mbps
- » Backwards compatible with previous versions of USB 1.1
- » Works with Windows and MacOS
- » USB cable 0.4m included

**IUSB2-HUB4-BKTY** BLACK

**IUSB2-HUB4-WHTY** WHITE

**USB 3.0 Super Speed Hub 4-Port**



- » Hub USB 3.0 4-Port, thanks to Super Speed USB technology multiplies the speed performance for data transfer between computers and peripherals up to 5Gbps
- » Backwards compatibility with previous versions 2.0 and 1.1
- » USB cable 0.8m included

**IUSB3-HUB4-WH**

**Wireless Presenter with integrated Laser Pointer**



- » Compact, slim and lightweight presenter which supports up to 100 m range
- » With USB receiver fastened in the main body of the presenter
- » Supports PowerPoint, Keynote and Prezi
- » Supports function page up/page down and function full screen/ black screen
- » Standard USB 3.0; Plug and play

**ITC-LASER26**

**Wireless Presenter with integrated Laser Pointer and built-in lithium battery**



- » Compact, slim and lightweight presenter which supports up to 100 m range
- » With USB receiver fastened in the main body of the presenter
- » Supports PowerPoint, Keynote and Prezi
- » Supports function page up/page down and function full screen/ black screen
- » With volume button for easy control of volume up and down
- » Polymer Lithium battery built-in with led indicator for low power reminding function
- » Standard USB 3.0; Plug and play

**ITC-LASER76**

**Smart Card Reader/Writer USB 2.0**



- » Ideal for transactions and applications requiring secure information exchanges
- » Great for reading card of the Chamber of Commerce
- » Ideal for authenticate the Revenue Agencies (even to download precompiled 730 module)
- » Specific to CNS / CIE and CRS, digital signature, health card
- » Suitable for use public offices, healthcare, banking services, entertainment and more
- » Supports communication speed up to 12 Mbps
- » Plug and play: installs quickly and easily
- » Compatible with Windows, Mac and Linux

**I-CARD-CAM-USB2TY**

➤ **Height adjustable stands** for devices or LCDs 13" - 32"



- ›› Lifts the monitor to a more comfortable viewing position and reduces neck and back tension
- ›› Non-slip rubber coating: Protects the work surface from scratches or abrasion

<b>ICA-MS-401</b>	PLASTIC
<b>ICA-MS-481</b>	METAL
<b>ICA-MS-461</b>	GLASS
<b>ICA-MS-461E</b>	WITH HEIGHT-ADJUSTABLE FEET FROM 80 TO 130 MM

➤ **Anti-theft Tablet Floor Stand**

**NEW**



- ›› Anti-theft tablet floor stand for 2/3/4/Air/Air 2 & 9.7 iPad
- ›› 90° rotation for easily holding your iPad in portrait or landscape orientation
- ›› Free tilt allows easy angle adjustment

**ICA-TBL-2604**

➤ **PC Trolley** for vertical Housing



- ›› PC Trolley for vertical Computer Tower with 4 wheels (2 with safety lock)
- ›› Adjustable width: 164 to 247 mm
- ›› Lifting capacity: 25 kg
- ›› Dimensions: 16.4 - 24.7 x 24 x 15 cm (W x D x H) (without wheels)

**ICA-CS-34**

➤ **Flexible Cable Duct,**  
Length: 1.3 m



- ›› The cable duct leads the cable from the floor to the desk and offers mechanical protection and a strain relief
- ›› Snap-together connecting blocks
- ›› Dimension of a single square duct element: 67 x 35 mm
- ›› Steel rim plate: diameter approx. 18cm
- ›› Recommended for desks used in sitting and standing working position
- ›› The length can be adjusted by removing individual elements.

**ISWT-CAN-6735** 1.3 M

➤ **Cable Duct,**  
Diameter: 25 mm, Length: 2.5 m



APPLICATION EXAMPLE

- ›› Cable duct
- ›› Total Length: 2.5 m
- ›› Diameter: 25 mm
- ›› Insertion aid inclusive
- ›› Colour: Black

**ISWT-KIT-BK** 2.5 M

➤ **AC/DC Power Connector**



- ›› Equipped with a DC Hollow plugs
- ›› Provides a stabilized output current 1A/1.5A
- ›› IPW-NTS1500G: Adjustable power connector with replaceable Hollow- and USB-Plug

**IPW-12V1-21TY** 12W, 1A DC: 5.5 X 2.1 X 10 MM

**IPW-12V1-25TY** 12W, 1A DC: 5.5 X 2.5 X 10 MM

**IPW-12V15-21TY** 18W, 1.5A DC: 5.5 X 2.1 X 10 MM

**IPW-12DC1A** 18W, 1.5A DC: 5.5 X 2.5 X 10 MM

**IPW-5V1ATY** 5W, 1A DC: 5.5 X 2.1 X 10 MM

**IPW-NTS1500G** 18W, 1.5A INCL. 9 DC ADAPTER



## GERMAN LOCATIONS

### BIELEFELD

Striegauer Straße 1 • 33719 Bielefeld  
fon +49 (0) 521/40418-0 • fax +49 (0) 521/40418-50

### FRANKFURT / RAUNHEIM

Am Prime Parc 7 • 65479 Raunheim  
fon +49 (0) 6142/9466-0 • fax +49 (0) 6142/9466-15

### HAMBURG / BUXTEHUDE

Westende 12 • 21614 Buxtehude  
fon +49 (0) 4161/5115-0 • fax +49 (0) 4161/5115-15

### MUNICH / PUCHHEIM

Boschstraße 10 • 82178 Puchheim  
fon +49 (0) 89 800 7469-0 • fax +49 (0) 89 800 7469-29

### SONNEBERG

Johann-Nicol-Dorst-Straße 10 • 96515 Sonneberg  
fon +49 (0) 3675/75069-0 • fax +49 (0) 3675/75069-25

## INTERNATIONAL LOCATIONS

### EFB-ELEKTRONIK AUSTRIA GMBH

Belgradplatz 5 • 1100 Wien  
fon +43 (0) 1 600 1781-0 • fax +43 (0) 1 600 1781-20  
info@efb-elektronik.at • www.efb-elektronik.at

### EFB-ELEKTRONIK TURKIYE

Halide Edip Adıvar Mahallesi • Sultan Sokak  
Mavi Plaza No:22 D:11/22A • 34381 Şişli/İSTANBUL  
Tel: +90 212 222 92 50 pbx • Fax: +90 212 222 92 89  
info@efb-elektronik.com.tr • www.efb-elektronik.com.tr

### EFB NORDIC A/S

Naverland 22 • 2600 Glostrup  
fon +45 44 66 29 11  
info@efb-nordic.dk • www.efb-nordic.dk

## FURTHER INFORMATIONEN:

► [www.efb-elektronik.de/techly](http://www.efb-elektronik.de/techly)

## VITIT OUR ONLINE-SHOP:

► [shop.efb-elektronik.de](http://shop.efb-elektronik.de)



**TECHly**<sup>®</sup>  
The Modern IT brand