

# Marco Roseta Ideal 2 FO(SC) 80x80 Blanco



## Description

For holding 2 adapters

2 Ports for E2000®simplex, SC simplex or LC duplex

40° slanted outlet

Outer ring 80x80mm and central plate 50x50mm with labeling field 12x40mm according to **DIN49075**

Compatibel to common switch programs with adapter plate

**Delivery unassembled**

## Included:

1 x metal frame

1 x plastic cover

1 x plastic central plate

4 x M2-screws

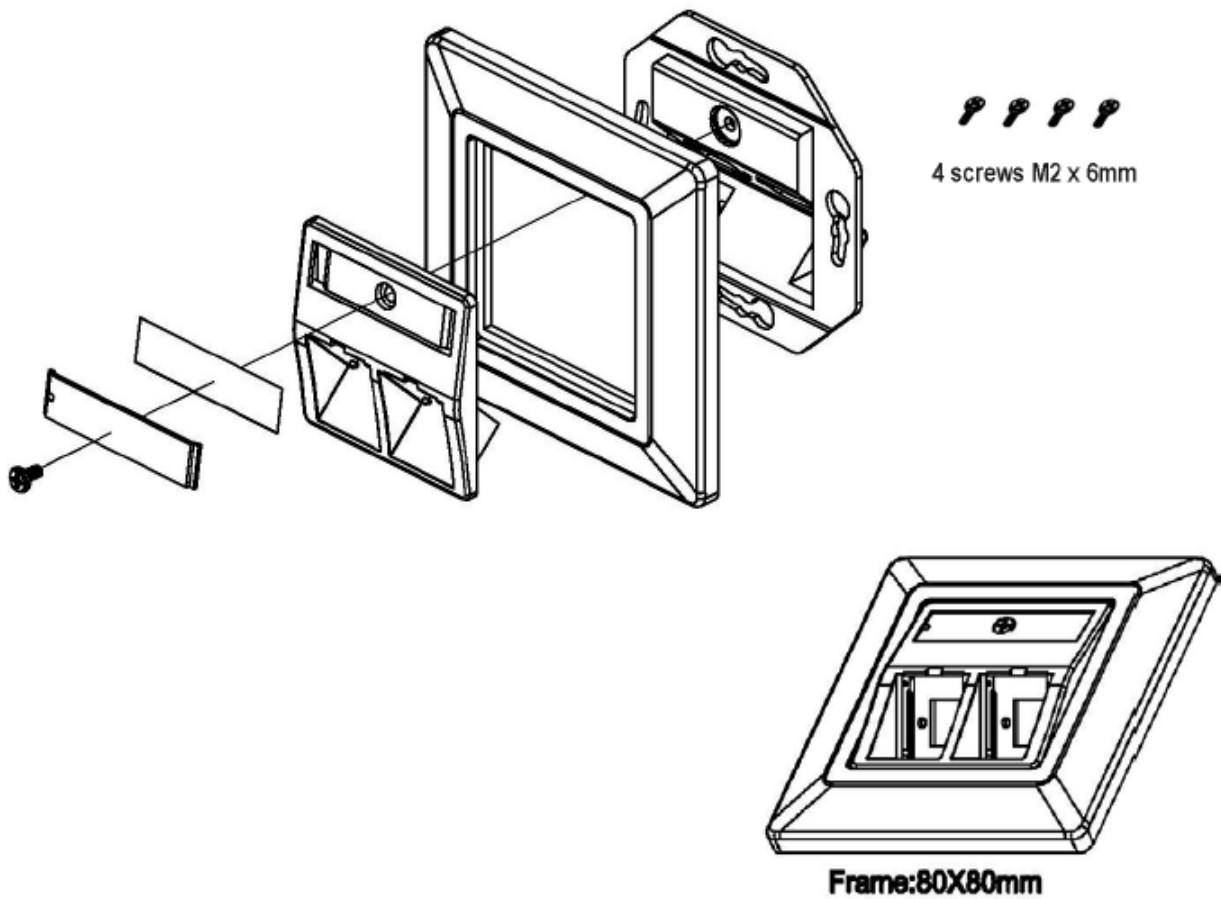
## General data

Surface mounting	yes
Flush mounted (plaster)	yes
Duct installation	yes
Floor box/sub-floor mounted	yes
Type of fastening	screw
With bus/coupling	False
Max. Assembly (Adapter)	2
Suitable for adapter	SC Simplex/LC Duplex/E2000®
With label space	yes

Centre plate	yes
Central plate according to	DIN 49075
Cover frame	yes
Cable strain relief	No
Wire stock	No
Outlet direction	angled
Dust protection cap	without
Material bearing ring	Zinc alloy
Material central plate	ABS plastic

### Dimensions

Dimension	80 x 80 mm
-----------	------------



*Ideal Technology has a policy of continuous improvement. Specifications are subject to change without notice.*