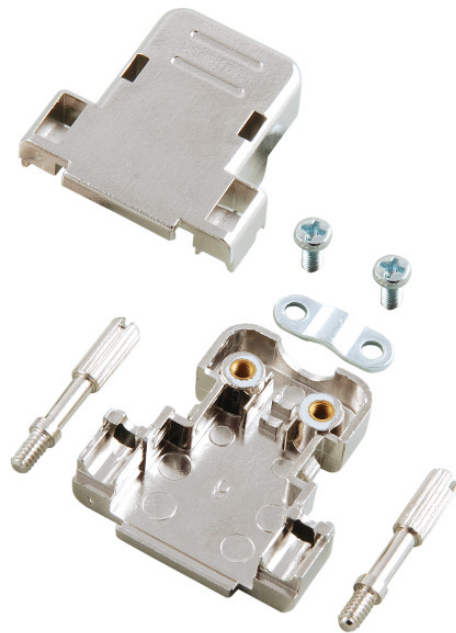


# CARCASA SUB D 9 METALIZADA TORNILLO LARGO TIPO E-DH



## Description

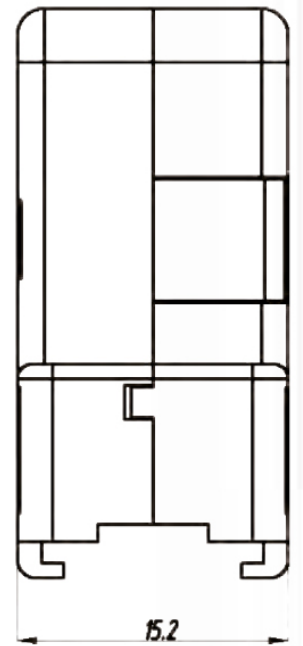
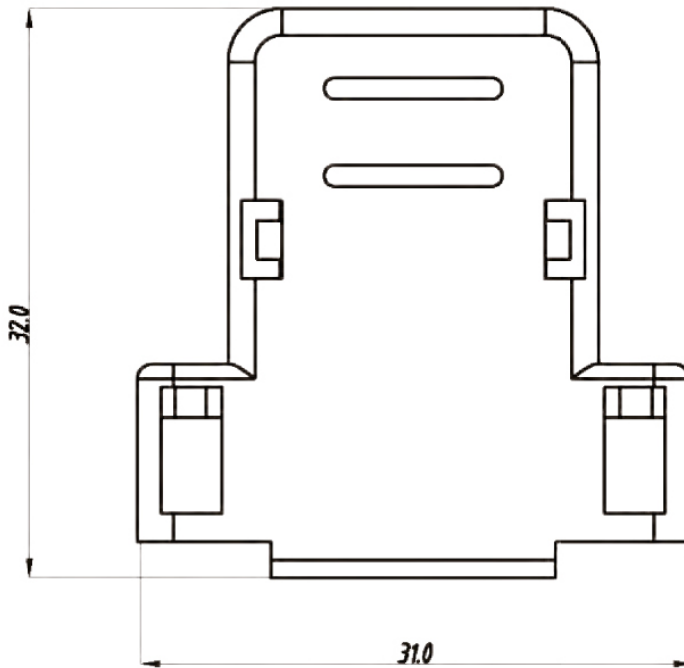
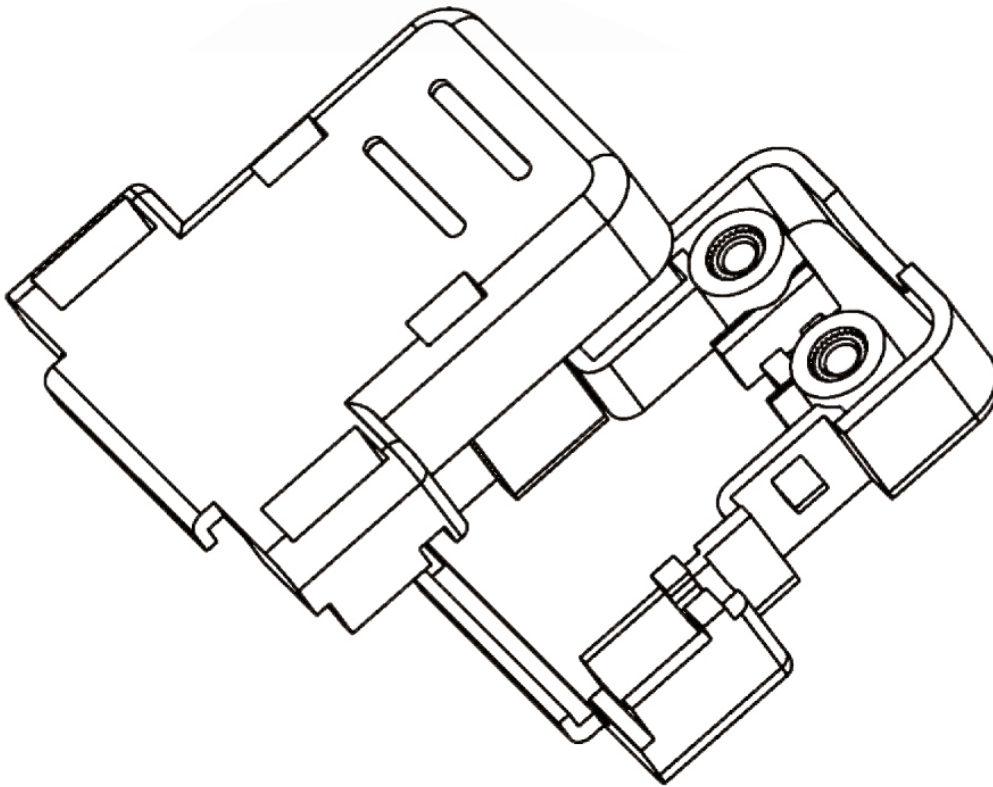
- Plastic housing, incl. thumb screw
- With snap fastene

## Mechanical characteristics

Material	plastic
Two piece	True
Separable	True
Locking mechanism	screw

## Available variants

Article no.	Title	Type	Suitable for number of poles	max. Cable diameter	Colour
29417.1	E-DH09 Cover metallised	E-DH 09	9	6 mm	metallisiert/silver
29522.1	E-DH15 Cover metallised	E-DH 15	15	8 mm	metallisiert/silver
29414.1	E-DH 25 Cover metallised	E-DH 25	25	8 mm	metallisiert/silver



*Ideal Technology has a policy of continuous improvement. Specifications are subject to change without notice.*