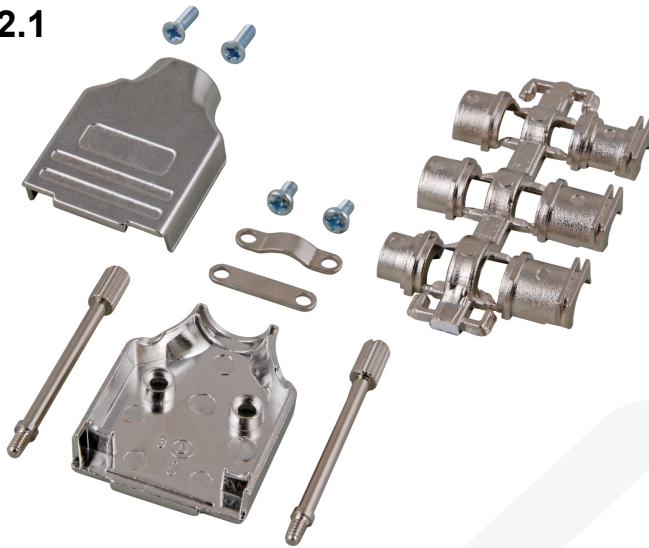


Carcasa sub D 25 metálica E-MHDM tornillo largo

Ref.: 29472.1



General data

- Full metal housing 180° cable outle
- Thumb screws UNC 4-40
- For cable diameter up to 13.0 m
- Attenuation: > 40 dB between 30 MHz and 1 GH
- Incl. HF shielded boots for cable diameters 4 - 6 mm, 6 - 8 mm, 8 - 10 mm
6 - 8 mm, 8 - 10 mm

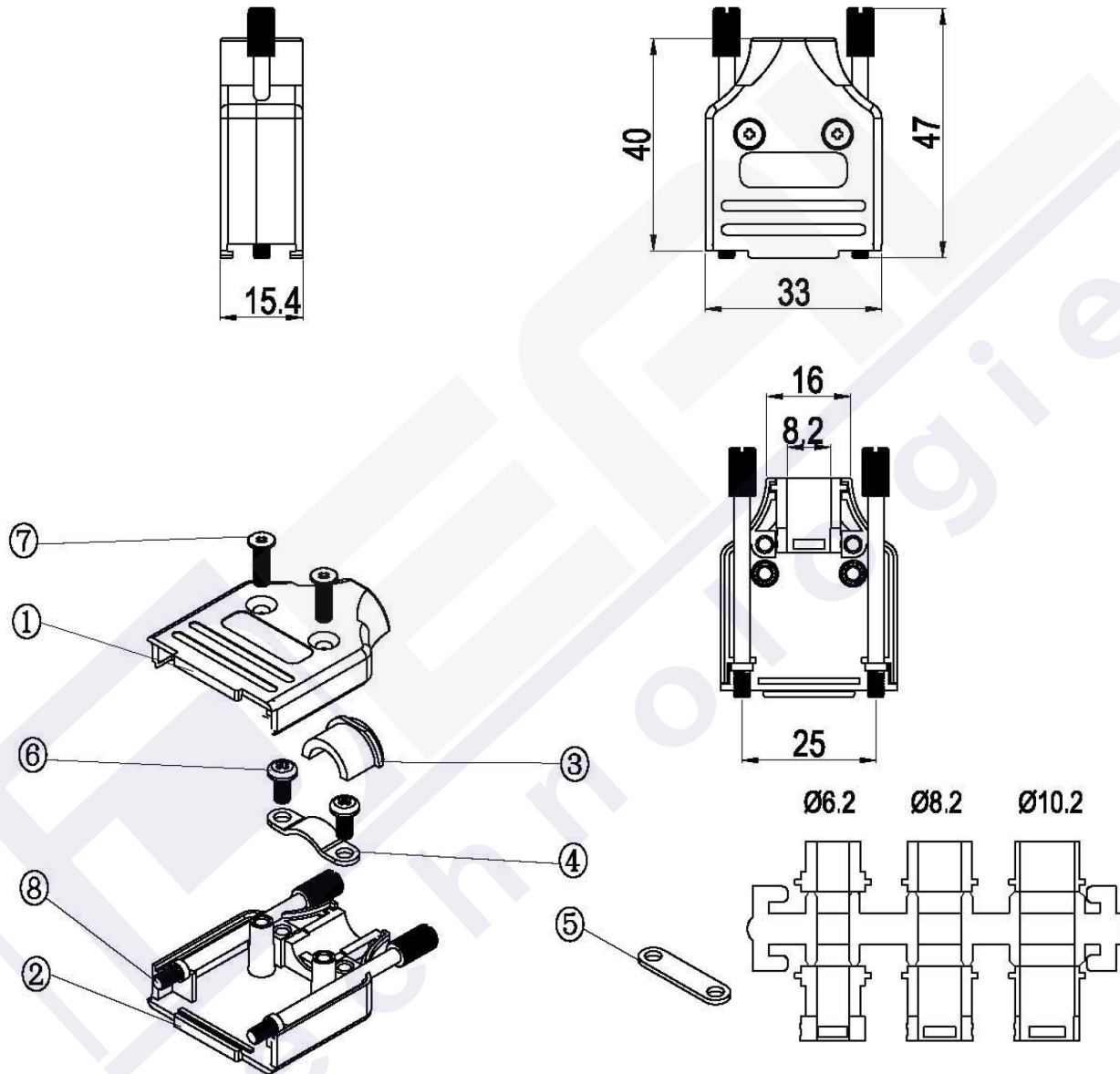
Allgemeine Daten

Material | zinc die-cast

Mechanische Eigenschaften

Locking mechanism	screw
Two piece	True
Separable	True

Carcasa sub D 9 metálica E-MHDM tornillo largo



Ideal Technology has a policy of continuous improvement. Specifications are subject to change without notice.