

# Caja metalica para carril DIN sin Frontal color gris

Ref.: 53705.1V3



## General data

Fully assembled metal housing  
For DIN Rail mounting  
Cable entries top/bottom, prepared for M20  
Delivery incl. screws for front panel

**Included:** 1 x splice distributor housing  
1 x splice cassette  
1 x splice holder for 12 crimp splices (Attach of an optional additional splice holder only with double-sided adhesive tape)  
1 x cable gland M20  
1 x Alu DIN Rail clip

**Delivery unassembled and without Front panel**

Dimensions: 61x115x113mm

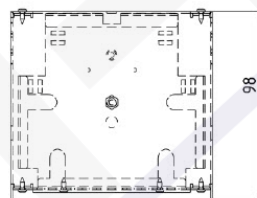
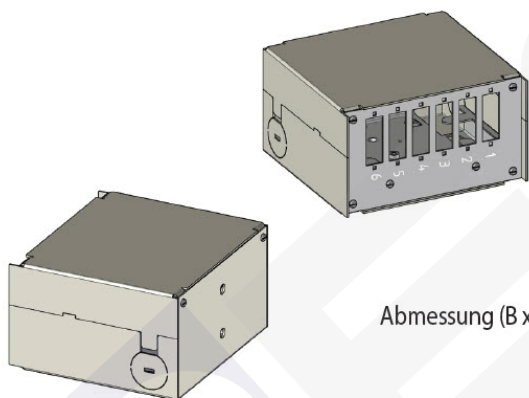
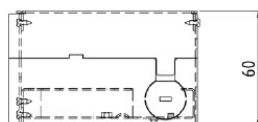
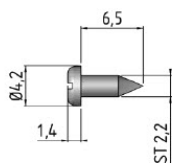
## Allgemeine Daten

Suitable for number of module inserts	-
With housing	True
Number of height units	-
With front plate	False
Mounting method	DIN rail (top hat rail)
With pigtails	False

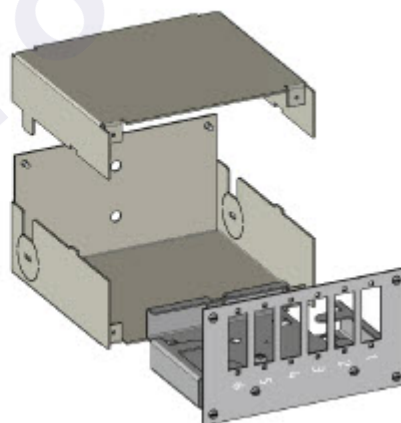
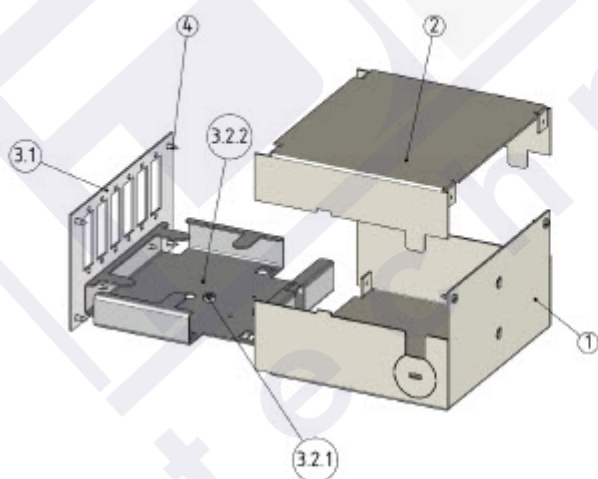
# Caja metalica para carril DIN sin Frontal color gris

## Abmessungen

Depth	113.0 mm
Width	61.0 mm
Height	115.0 mm



Abmessung (B x H x T), 61 x 115 x 113mm



Nr.	Beschreibung	Q'ty
1	Gehäuseteil 1	1
2	Gehäuseteil 2	1
3.1	Frontblende (Nicht im Lieferumfang)	
3.2.1	Gewindeniet	1
3.2.2	Montageplatte	1
4	Zylinderblechschraube	8

Ideal Technology has a policy of continuous improvement. Specifications are subject to change without notice.