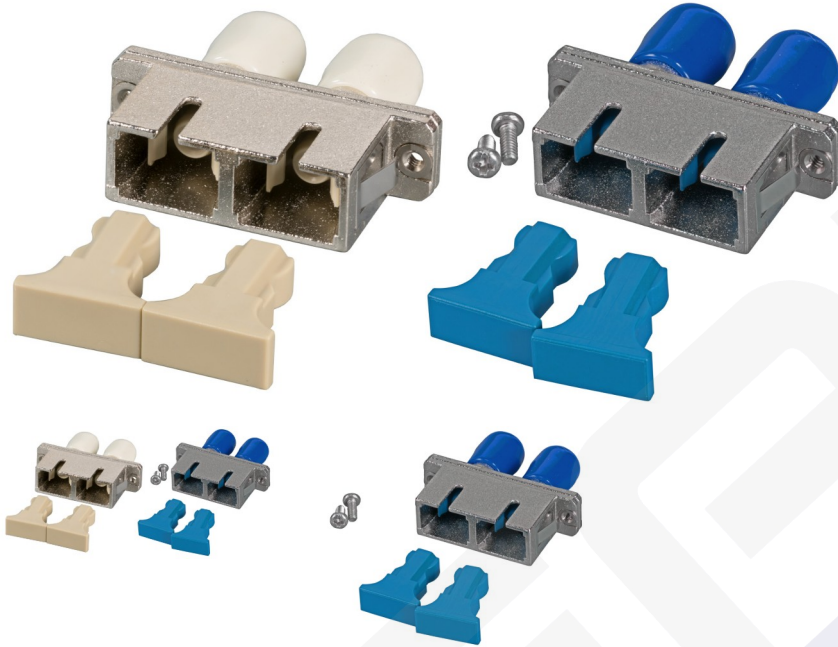


Adaptador ST-PC/SC-PC dúplex multimodo metalico



General data

With 2 M2 x 10 screws
• With snap-in fixing

Allgemeine Daten

Type of fastening	Screw/snap in
Internal Shutter	False
Insertion loss 1310nm	-
Type of housing	With flange
Accessories	Metric Screw

Mechanische Eigenschaften

Material sleeve	Ceramics
Dust cover	True
Material housing	Metal
Construction type	SC Duplex

Kabelaufbau

Type of connector connection 2	SC duplex
Type of connector connection 1	ST-Duplex

Ideal Technology has a policy of continuous improvement. Specifications are subject to change without notice.

Adaptador ST-PC/SC-PC dúplex multimodo metalico

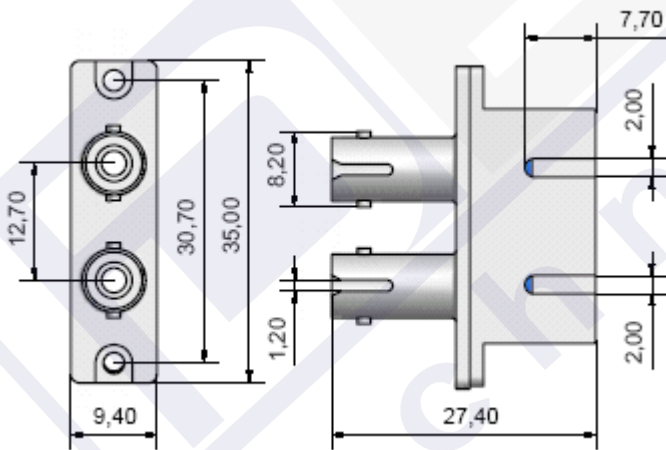
Abmessungen

Width	35.0 mm
Height	9.4 mm
Length	27.4 mm

Umgebungsbedingungen

Operating Temperature	-40 - 75 °C
Storage Temperature	-55 - 85 °C

Drawings



Ideal Technology has a policy of continuous improvement. Specifications are subject to change without notice.