

DATASHEET

Crimp Contacts for jacks



Description

Crimp Contacts

General data

Model | jack (jack)

Electrical characteristics

Contact type | female (female)
 Connection type | crimp

Available variants

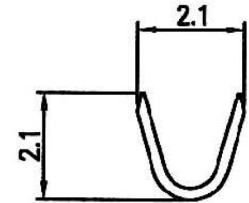
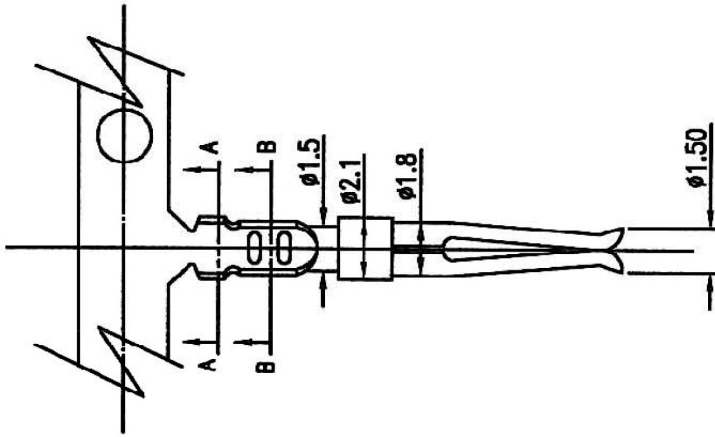
Article no.	Title	Number of poles	Type
CNHCC	Crimp Contacts jack E-CRIF/28/100/B, 100pu in bag	-	Crimpcontacts E-CRIF/28/100/B 100er-bag
CNHCCR	Crimp Contacts jack E-CRIF/28/0, 10.000er coil	-	Crimpcontacts E-CRIF/28/0 10.000er coil

Ideal Technology has a policy of continuous improvement. Specifications are subject to change without notice.

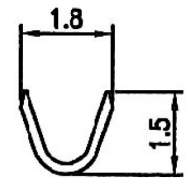
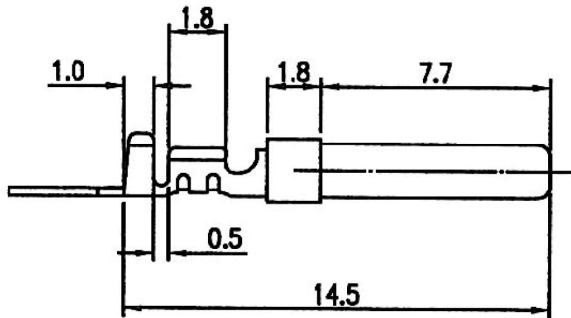
DATASHEET

Crimp Contacts for jacks

Technical drawings



A-A SECTION



B-B SECTION