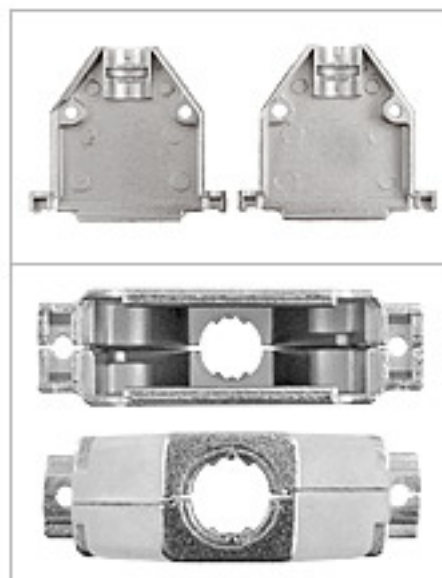
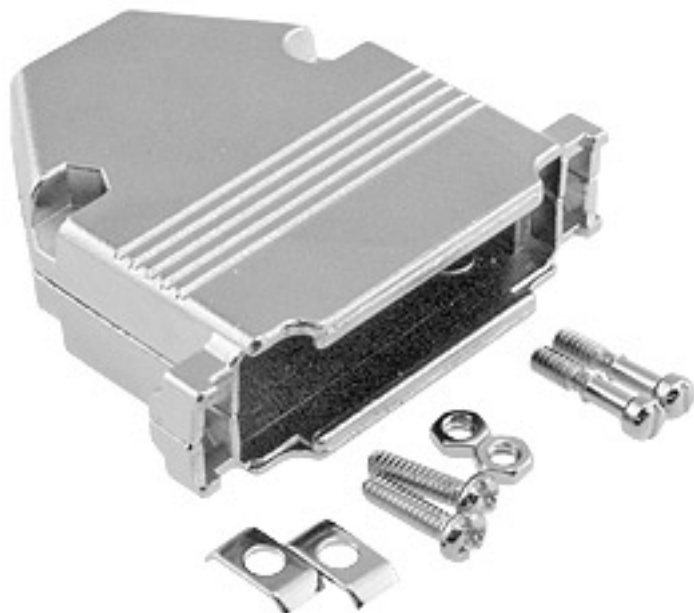


CARCASA SUB D 25 METÁLICA TORNILLO CORTO



TECHNICAL PARAMETERS

- With long thumb screws
- For cable diameters 10-11 mm

Material: zinc die-cast
Two piece: True
Separable: True
Locking mechanism: screw

Article no.	Title	Type	Suitable for number of poles	Colour
CS9MTE	Full Metal Cover 9-K		9	silver
CS15MTE	Full Metal Cover 15-K		15	silver
CS25MTE	Full Metal Cover 25-K		25	silver
CS37MTE	Full Metal Cover 37-K		37	silver

Ideal Technology has a policy of continuous improvement. Specifications are subject to change without notice.