

Latiguillo Cat.6A S/FTP con cable Cat.7 LSZH rojo



General data

The shielded Cat.6A RJ45 patch cable ensures excellent performance for 10 Gigabit Ethernet applications. The moulded grommet captivates with its **slim design** and thus simplifies the insertion process in cramped conditions.

Cross section 4 x 2 x AWG26 / 7
Moulded grommet, slim design

Length imprint on the boot

Allgemeine Daten

Suitable for degree of protection (IP)	IP20
Cable type	S/FTP
Pin assignment	1:1
Locking lever	True
Fire retardant version	True
Model	Shielded
Material outer sheath	LSZH
Connector type	RJ45 Standard yellow
Contacts	Gold plated

Ideal Technology has a policy of continuous improvement. Specifications are subject to change without notice.

Latiguillo Cat.6A S/FTP con cable Cat.7 LSZH rojo



Allocation	acc. TIA/EIA 568B
Area of Application	Industrial Ethernet
Length imprint	True
Colour anti-kink sleeve	red
Colour outer sheath	red
Anti-kink sleeve	plugged in
Current Rating	max. 1 A
Halogen free	True
Category	6A (TIA)

Mechanische Eigenschaften

Conductive shield	Selected shield contact
Bending radius	>32.5 mm
Mating cycles	2000

Kabelaufbau

Raw cable	Cat.7
Type of connector connection 2	RJ45 8(8)
Type of connector connection 1	RJ45 8(8)
Conductor Material	Copper
AWG-size	26/7
Cable construction	4x2

Kabelmantel

Outer diameter of the cable	6.5 mm
Oil resistant (according to EN 60811-404)	False
Halogen-free	yes
Flame retardant	acc. IEC60332-1
Silicone-free	True
Printing	Cat.7 raw cable S/FTP 4x2xAWG26/7 PIMF 600MHz ISO/IEC 11801 & EN50173-1 TIA/EIA 568B-2.1 Halogen Free ***10GIGABIT*** www.efb-elektronik.de
Low smoke	acc. IEC61034

Umgebungsbedingungen

Temperature range	-20 - 60 °C
-------------------	-------------

Ideal Technology has a policy of continuous improvement. Specifications are subject to change without notice.

Latiguillo Cat.6A S/FTP con cable Cat.7 LSZH rojo



Elektrische Eigenschaften	
Insulation Resistance	10 MΩ
Test voltage	1000 V DC, 1min
Loop resistance	292 Ω/km
Contact Resistance	30 mΩ
POE class	PoE+ acc. to IEEE802.3at
Operating-/ tempering voltage	max. 50 V DC
Impedance	100 ±5 Ω
Resistance unbalance	5 %
Conductor resistance DC	146 Ω/km

Übertragungstechnische Eigenschaften	
Transmission	10Gbit
Bandwidth	500MHz

Normen, Zulassungen, Zertifizierungen	
Oil resistant (acc. EN 60811-2-1)	False
Connector	IEC 60603-7-51

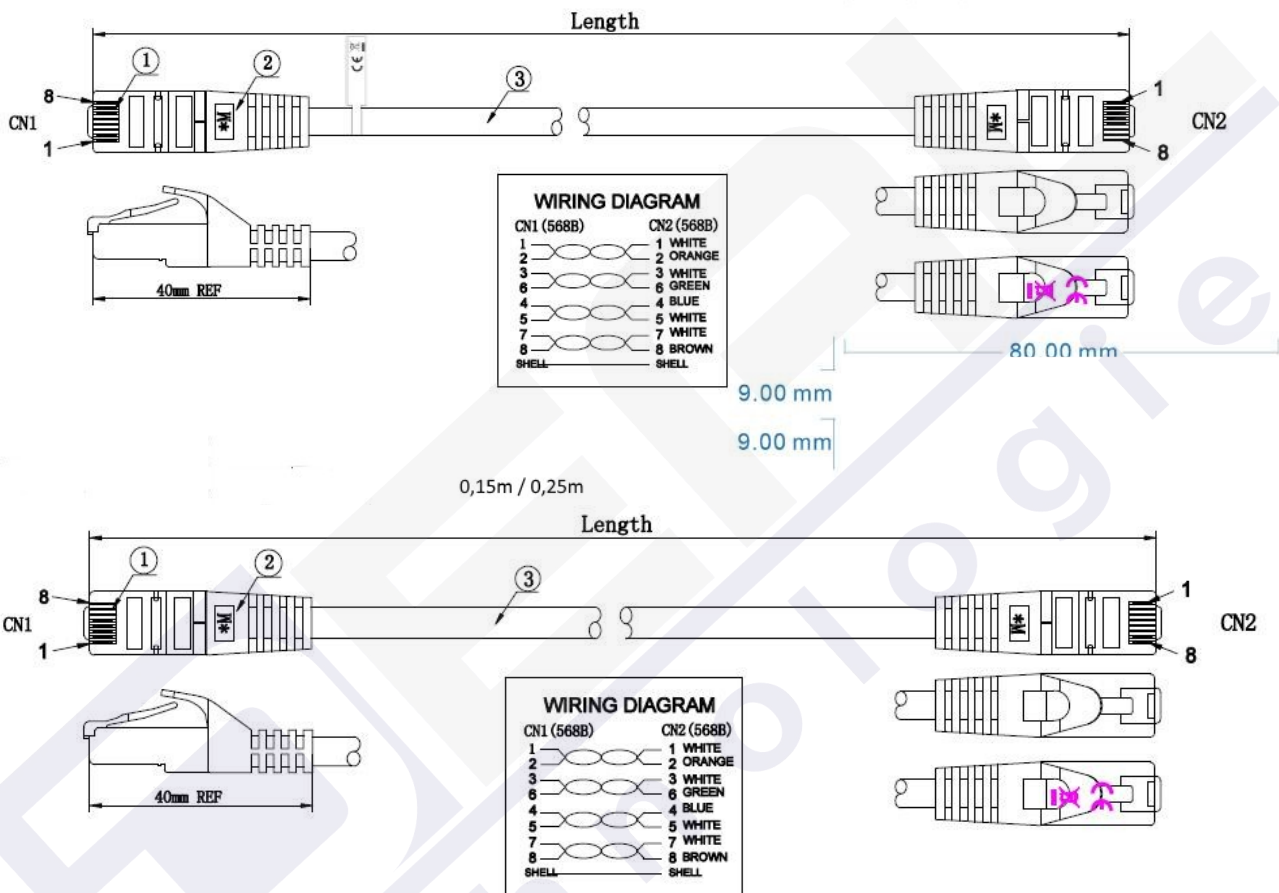
Available variants

ArtNr.	Bezeichnung	Length Längentoleranz
MK7001.0,15R	RJ45 Patch cable S/FTP, Cat.6A, LSZH, Cat.7 Raw cable, 0,25m, red	0.15 m ±5 %
MK7001.0,25R	RJ45 Patch cable S/FTP, Cat.6A, LSZH, Cat.7 Raw cable, 0,25m, red	0.25 m ±5 %
MK7001.0,5R	RJ45 Patch cable S/FTP, Cat.6A, LSZH, Cat.7 Raw cable, 0,5m, red	0.5 m ±5 %
MK7001.1R	RJ45 Patch cable S/FTP, Cat.6A, LSZH, Cat.7 Raw cable, 1m, red	1.0 m ±5 %
MK7001.1,5R	RJ45 Patch cable S/FTP, Cat.6A, LSZH, Cat.7 Raw cable, 1,5m, red	1.5 m ±5 %
MK7001.2R	RJ45 Patch cable S/FTP, Cat.6A, LSZH, Cat.7 Raw cable, 2m, red	2.0 m ±5 %
MK7001.3R	RJ45 Patch cable S/FTP, Cat.6A, LSZH, Cat.7 Raw cable, 3m, red	3.0 m ±5 %
MK7001.5R	RJ45 Patch cable S/FTP, Cat.6A, LSZH, Cat.7 Raw cable, 5m, red	5.0 m ±5 %
MK7001.7,5R	RJ45 Patch cable S/FTP, Cat.6A, LSZH, Cat.7 Raw cable, 7,5m, red	7.5 m ±5 %
MK7001.10R	RJ45 Patch cable S/FTP, Cat.6A, LSZH, Cat.7 Raw cable, 10m, red	10.0 m ±5 %
MK7001.15R	RJ45 Patch cable S/FTP, Cat.6A, LSZH, Cat.7 Raw cable, 15m, red	15.0 m ±5 %
MK7001.20R	RJ45 Patch cable S/FTP, Cat.6A, LSZH, Cat.7 Raw cable, 20m, red	20.0 m ±5 %
MK7001.25R	RJ45 Patch cable S/FTP, Cat.6A, LSZH, Cat.7 Raw cable, 25m, red	25.0 m ±5 %
MK7001.30R	RJ45 Patch cable S/FTP, Cat.6A, LSZH, Cat.7 Raw cable, 30m, red	30.0 m ±5 %

Ideal Technology has a policy of continuous improvement. Specifications are subject to change without notice.

Latiguillo Cat.6A S/FTP con cable Cat.7 LSZH rojo

Drawings



Ideal Technology has a policy of continuous improvement. Specifications are subject to change without notice.