

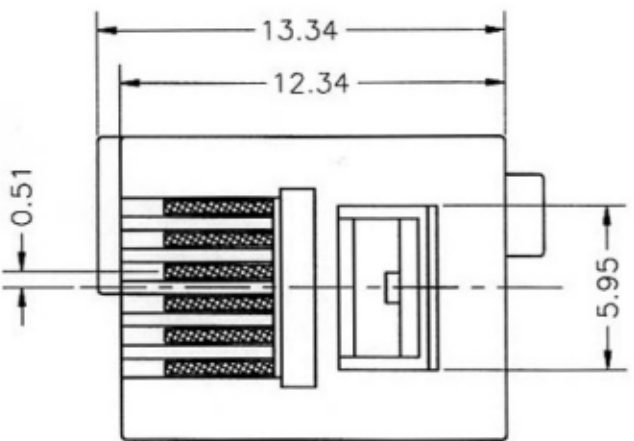
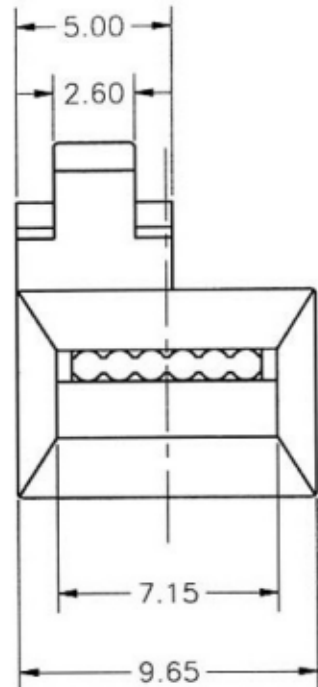
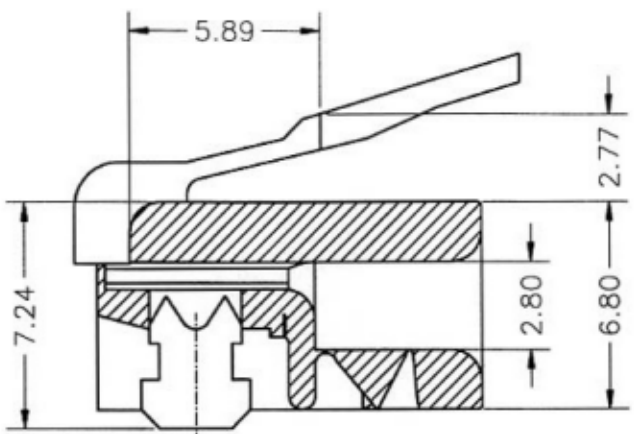
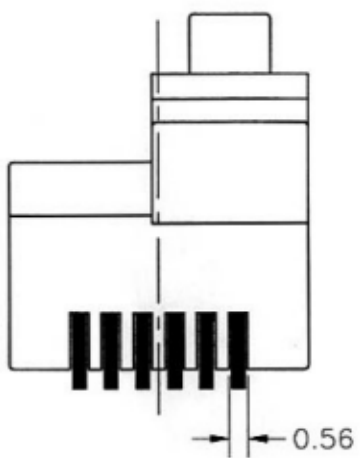
4

3

2

1

REVISIONS				
ZONE	REV	DESCRIPTION	DATE	APPROVED



BY	DATE	PART NO		
DRAWN	02/12/98	CNRJ10		
CHK'D		UNITS		
APPRV		MM	SIZE	
MATERIAL	SEE NOTES	SCALE		
FINISH	SEE NOTES			

4

3

2

1