

A B C D E F G H

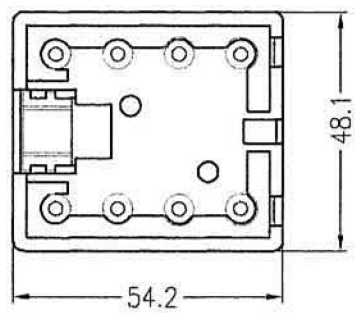
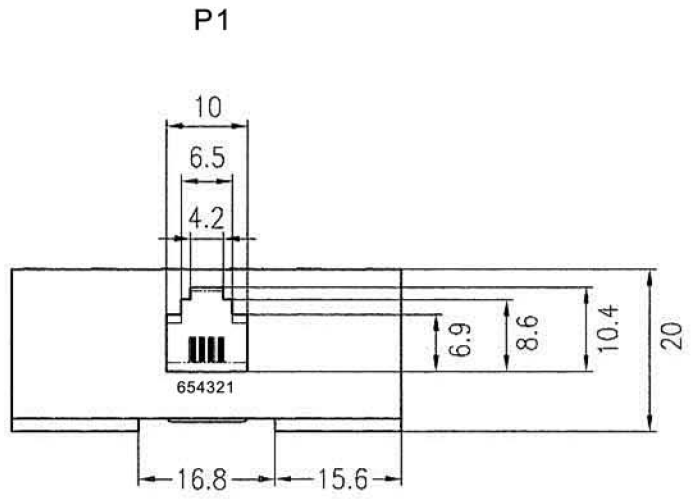
1

2

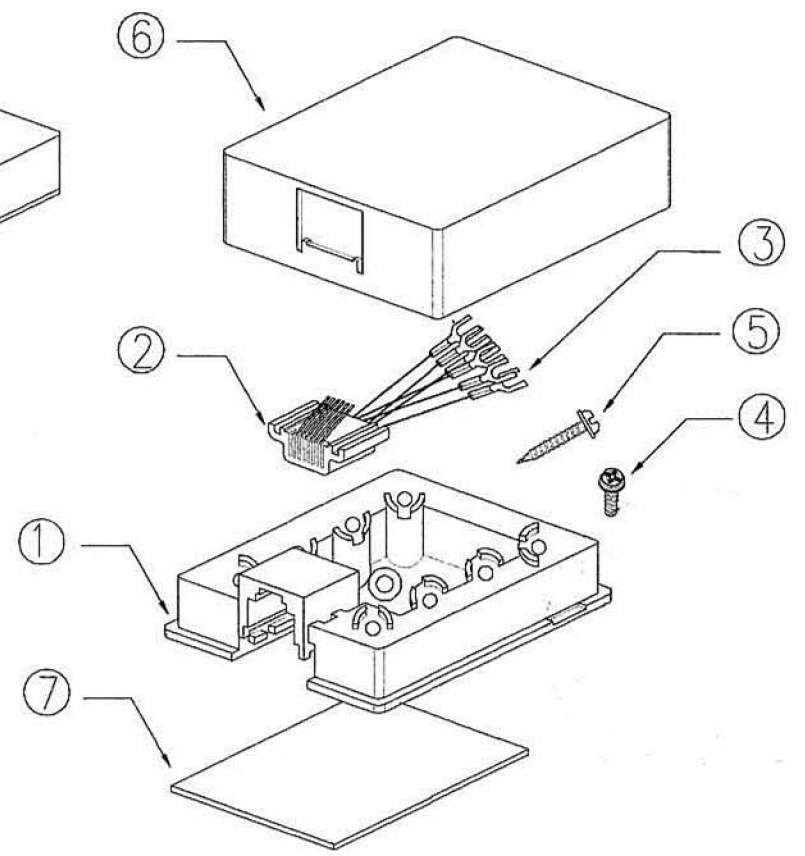
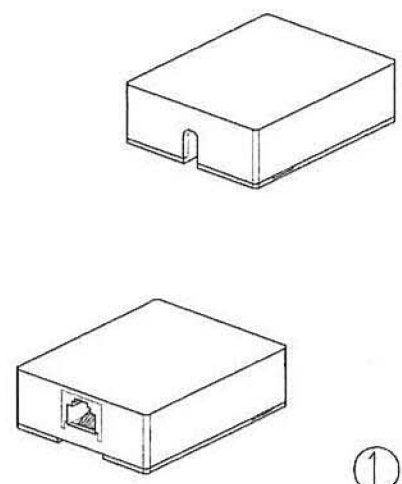
3


4

5



- P1
- 1 - BLUE
 - 2 - ORANGE
 - 3 - BLACK
 - 4 - RED
 - 5 - GREEN
 - 6 - YELLOW
 - 7 - BROWN
 - 8 - WHITE



 RT01C <small>Redes y sistemas S.L.</small>			1xRJ-45 8P8C MODULAR SURFACE	
7	PCS	1	Double-side tape	L x W x H 50 x 40 x 1.2mm
6	PCS	1	Top housing	Material : ABS beige
5	PCS	2	Screw	Material : 3.5 x 20mm Nickel-plated steel
4	PCS	6	Screw	Material : 3.5 x 5.5mm Nickel-plated steel
3	PCS	6		3U" gold flash connector 26 Awg stranded cable UL 1061
2	PCS	1		Material : ABS
1	PCS	1	Bottom housing	Material : ABS beige

Wiring diagram:

