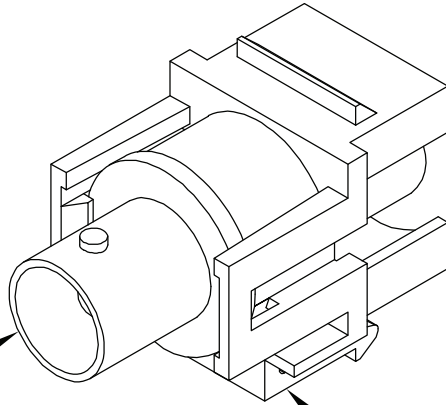
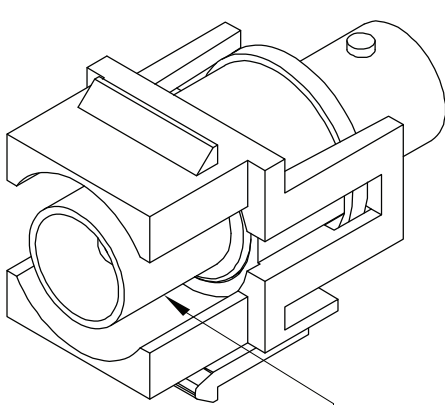
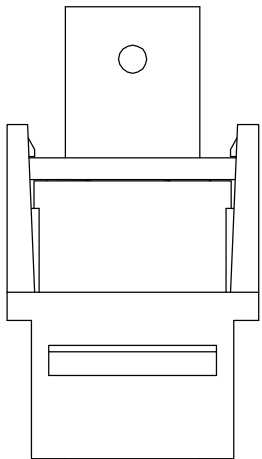
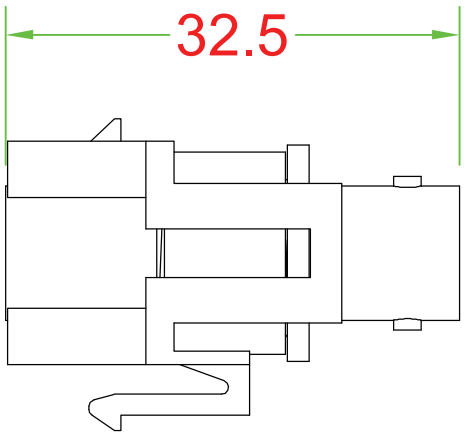
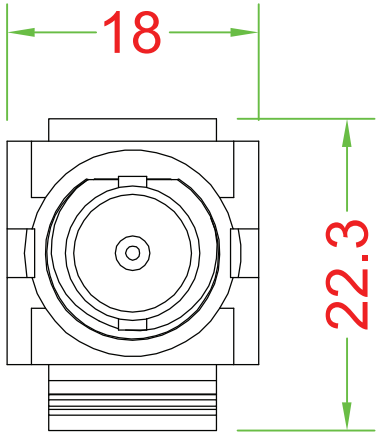


KEYSTONE INSERT



Zinc & Nickel plated

Fireproof ABS UL-94V0



DRAW NO:		ITEM NO:	
	APPR	CUSTOMER:	
UNIT: m/m	DESIGN	DATE:	
SCALE:	Ref. NO:	TOLERANCE:	· ± 1 · X ± 0.2 · XX ± 0.15