

REV	DESCRIPTION OF REVISION	ECN No.	BY	DATE	APPROVED
Rv01	N/A	N/A	J.Wang	2013/5/19	J.Tena

TECHNICAL DATA

Electrical data

Impedance	50Ω
Frequency range	0~3GHz
Withstand Voltage	2500V rms
Working Voltage	1500V
VSWR	≤ 1.2
Contact resistance	
-center contact	≤1mΩ
-outer contact	≤1mΩ
Insulation resistance	≥5000MΩ

Mechanical data

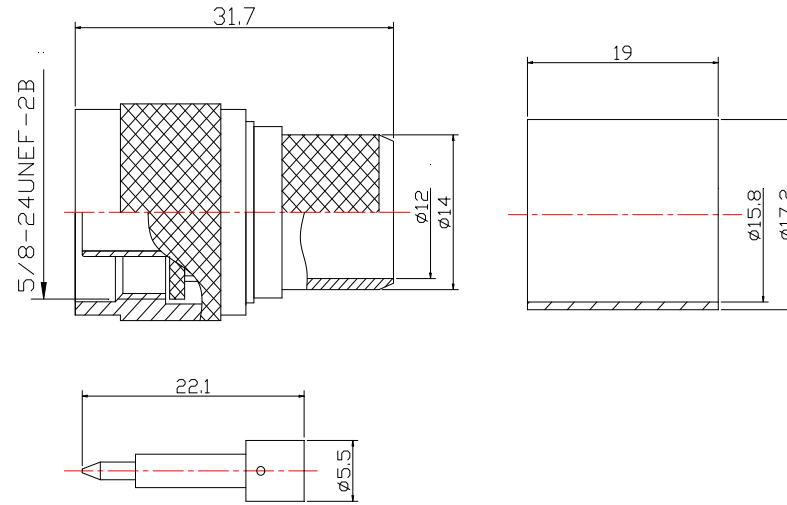
Temperature range	-55°C~+155°C
Durability(matings)	> 500

Material data

Piece Part	Base Material	Plating
Body	Brass	Tri-Metal plated
Center conductor	Brass	Gold plated
Crimping suite	Copper alloy	Nickel plated
Insulator	PTFE	
O-ring sealing	6146 silastic	

Interface Standards

IEC 60169-16 /MIL-C-39012/CECC22210



N male

NOTES:

- ALL SPECIFICATIONS ARE SUBJECT TO CHANGE WITH NOTICE AT ANY TIME
- CUSTOMER OUTLINE DRAWING FOR REFERENCE ONLY

Part Name:					
N male for LMR600					
		DIMENSIONS IN MILLIMETERS(mm)			
CN1134R	SIZE: A4	SCALE: 4:1	SHEET: 1/1	REV: A	