

# 1.0/2.3 Serie Connector

## Electrical

Impedance	75 Ω
Frequency Range	DC to 6 GHz
V.S.W.R	1.3 max. @6 GHz
Voltage Rating	250 volts rms. at sea level
Dielectric Withstanding Voltage	750 volts rms. at sea level
Insulation Resistance	1,000 Megohms min.
Contact Resistance	Center contact = 3.0 Milliohms max. Outer contact = 6.0 Milliohms max.
Power Handling	80W

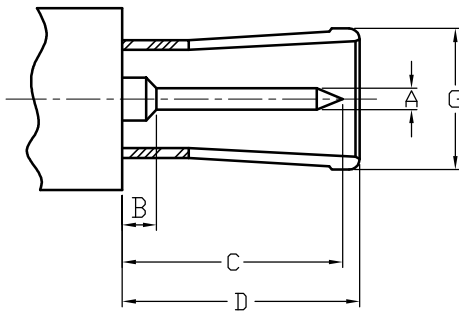
## Mechanical

Mechanical	"Push Pull" snap-on coupling
Center contact retention	2.2 lbs Axial force mating end

## Material

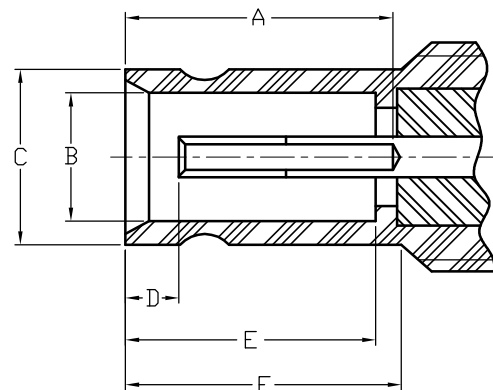
Connector Body	Brass / Beryllium Copper
Center Contact	Brass
Insulation	PTFE

## Interface-Dimensions



**Plug**

Letter	Millimeters (Inches)	
	Minimum	Maximum
A	0.48(.019)	0.52(.020)
B	-	1.15(.045)
C	-	5.50(.217)
D	5.40(.213)	5.70(.224)
G	SLOTTED AND FLARED TO MEET ELECTRICAL AND MECHANICAL REQUIREMENTS	



**Jack**

Letter	Millimeters (Inches)	
	Minimum	Maximum
A	5.50(.217)	-
B	3.00(.118)	3.06(.120)
C	4.03(.159)	4.15(.163)
D	1.15(.045)	1.45(.057)
E	5.80(.228)	5.90(.232)
F	6.40(.252)	6.50(.256)

Ideal Technology tiene una política de mejora continua. Las especificaciones están sujetas a cambios sin previo aviso.