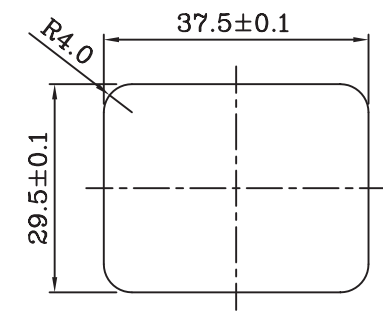
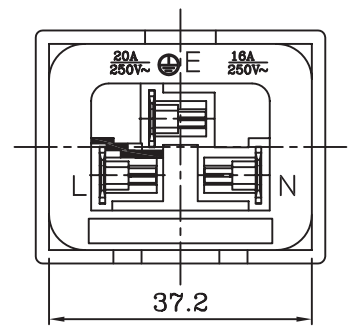
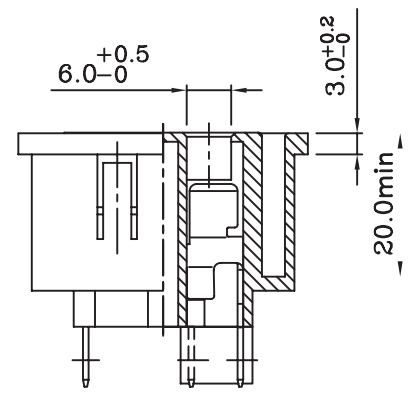


代碼	間隙	
A	12	1.2
	15	1.5
	17	1.7
	20	2.0
	25	2.5



PANEL CUT-OUT



**SPECIFICATION:**

1. INSULATION RESISTANCE: OVER 100MΩ 500V DC.
2. DIELECTRIC STRENGTH: 2000V AC ONE MINUTE.
3. Body Materil: Black Glass-Fiber Thermoplastic . UL 94V-2~0

<b>Rating:AC 20A 250V</b>	
Mark	Safety Regulation
cA <sub>us</sub>	cULus
<b>Rating:AC 16A 250V</b>	
Mark	Safety Regulation
	VDE
	CCC

**IMPORTANT THIS DRAWING FOR REFERENCE ONLY** 注意：此圖只供參考用

	UNIT	UNIT QTY	SCALE	TOLERANCE X.XX±0.1 XX.XX±0.2 XXX.XX±0.3	PRODUCT NO.		
	mm	1	1:1				
DRAWN BY			APPROVED BY	ID NO	09101401Q	INTERIM NO.	
				DESCRIPTION		NEW NO.	

C