

CHANGE			
EDIT1	MODIFICATION	UPDATE DATE	SIGNATURE

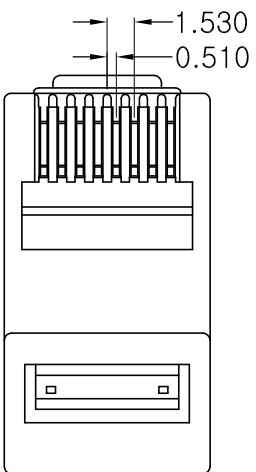
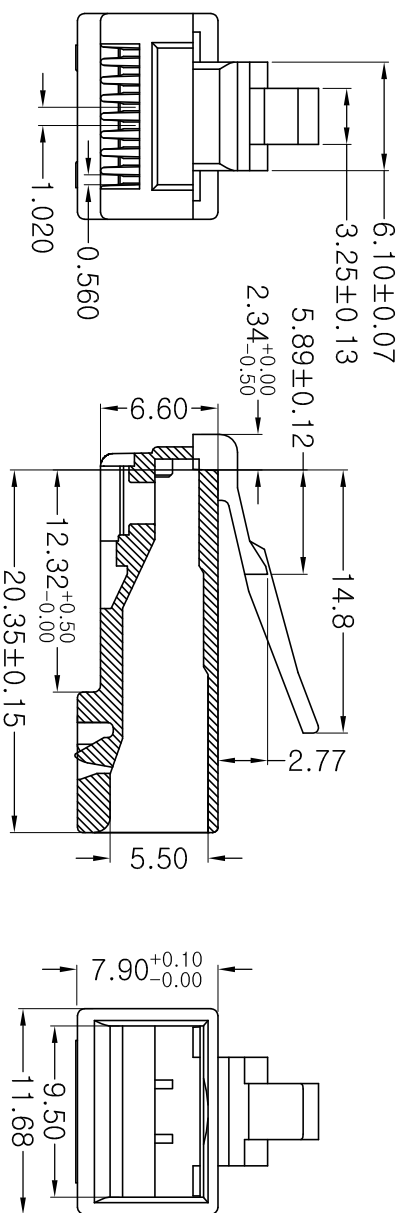
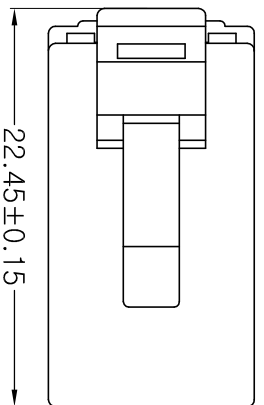
**Inspection for Environmental Protection:**  
 Based on the performed tests on submitted sample, the test results are Compliant with the limits of RoHS and REACH.

**Electrical Test:**

- A. 250V AC max, at 2A.
- B. Dielectric withstanding 1000V DC/min, <0.5A.
- C. Insulation Resistance: >500 MΩ, 1000V DC/min.
- D. Contact Resistance: <20 MΩ.

**Mechanical:**

- A. Cable-to-plug tensile strength-20LBS (89N) min.
  - B. Durability: 2000 mating cycles.
- Operating Temperature: -40°C~+125°C.



TERMINAL						OTHER
DRAWING						
MARK						

GOLD PLATING	Fu"	1u"	3u"	6u"	15u"	30u"	50u"	OTHER
MARK								



PRODUCT NO	PC	DESCRIPTION	UNIT	MM	SCALE	NULL	DWG NO	PEDD029
MATERIAL							EDIT1	B/0
DIMENSIONAL TOLERANCE		THIRD ANGLE PROJECTION		DRAWN	CHECK	DATE	DATE	2012.04.07
X.X	±0.2			Jorge Tena		DATE		
X.XX	±0.10					DATE		
X.XXX	±0.050					DATE		
ANGLE	±2°					DATE		

