

SL61 & «SOCA»

Straight plug

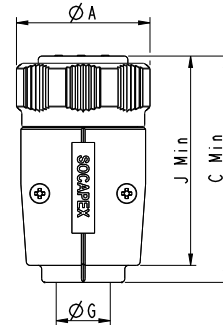
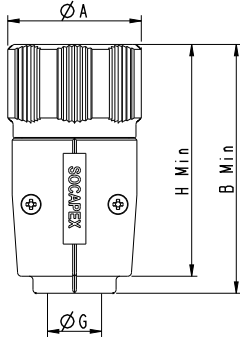


Pin

Socket

How to order page 17
SL*FMD**

How to order page 17
SL*FFD**



Size	B _{MIN}	C _{MIN}	ØG*			H _{MIN}	J _{MIN}	ØA ⁺⁰ _{-0.2}
10	62,20	52,85	5-7	7-9	-	54,70	48,45	27,50
20	65,90	59,70	6-8	9-11	12-14	58,40	55,20	36,50
30	87,70	80,50	10-12	13-16	17-2	81,20	74,00	51,50
40	85,90	78,70	14-18	19-23	24-3	76,40	71,20	64,50

*G: flanges equipped with different clamping pads delivered with the backshell.

Right angle plug

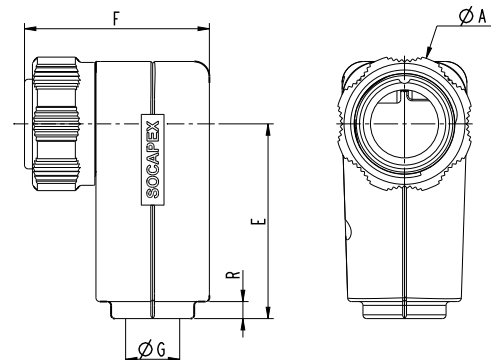
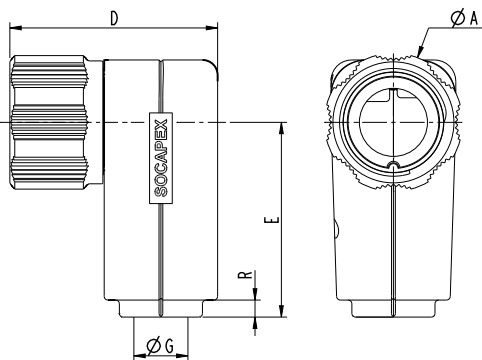


Pin

Socket

How to order page 17
SL*FMC**

How to order page 17
SL*FFC**



Size	D _{MIN}	E _{MIN}	ØG*			F _{MIN}	R _{MIN}	ØA ⁺⁰ _{-0.2}
10	48,10	45,50	5-7	7-9	-	38,55	4,30	27,50
20	54,90	51,50	6-8	9-11	12-14	48,70	4,30	36,50
30	67,90	55,50	10-12	13-16	17-20	60,70	6,30	51,50
40	76,00	62,50	14-18	19-23	24-30	68,70	7,30	64,50

*G: flanges equipped with different clamping pads delivered with the backshell.

All the dimensions are in mm except as otherwise specified