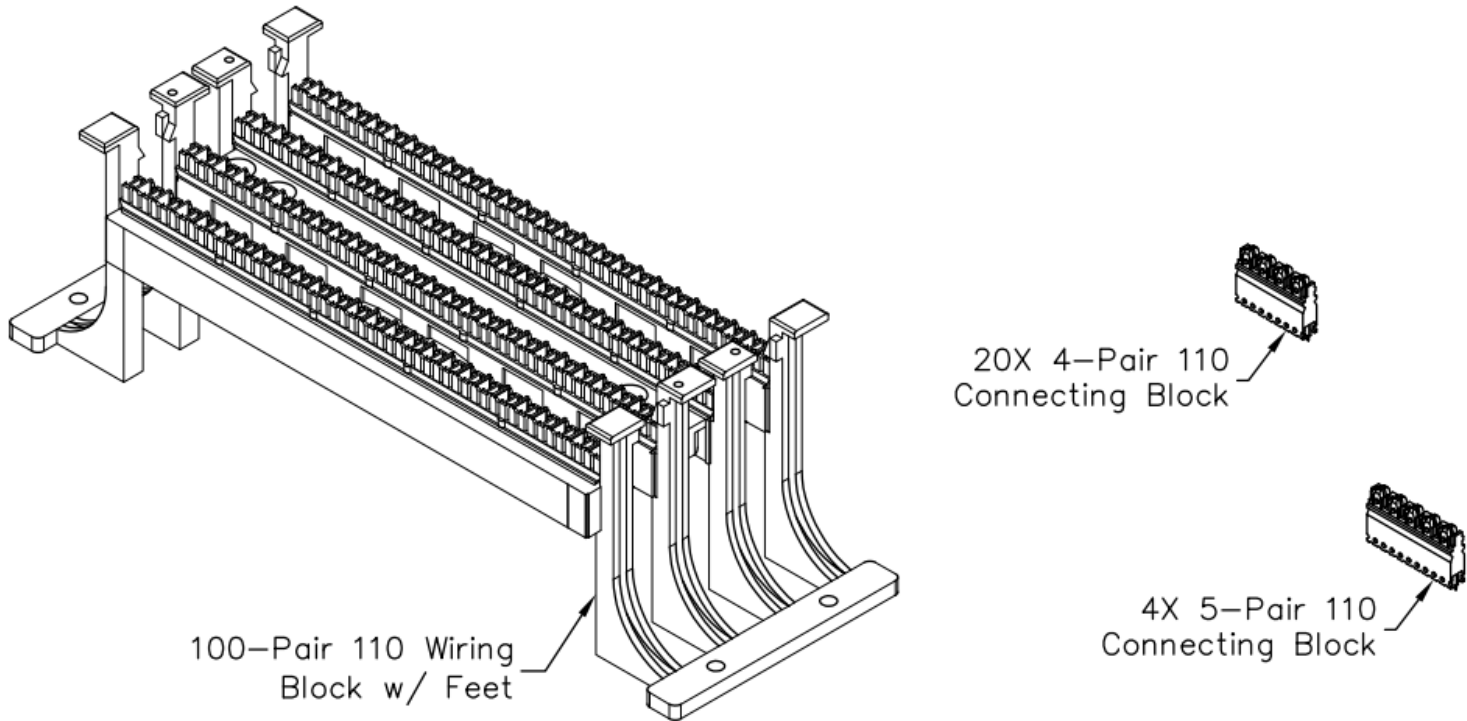


# 100 Pair 110 Wiring Block With Feet Kit

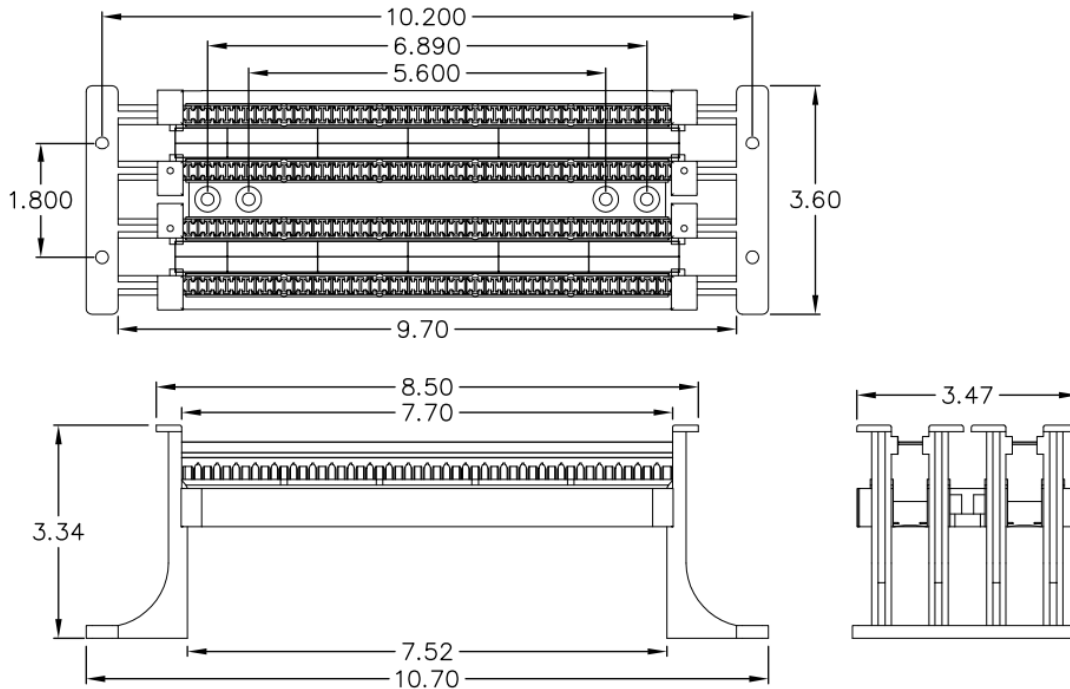
## Package Includes:

- A. 100-Pair 110 Wiring Block w/ Feet, 1 PC
- B. 4-Pair 110 Connecting Block, 20 PCS
- C. 5-Pair 110 Connecting Block, 4 PCS
- D. Label Holder, 2 PCS
- E. Designation Label, 2 PCS.



## Features and Benefits

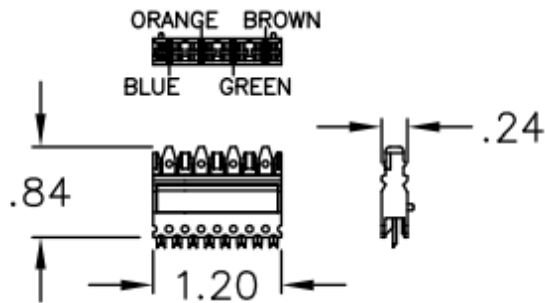
- High density wall mounted cross connect system designed for voice and data applications
- Exceeds ANSI/TIA-568-C requirements for permanent, channel link and component performances
- Easy system administration with designation labels and label holders
- Used with IC110 cable management blocks, ICACSPDT00 and ICACSPDT05 110 punch down tools
- UL 1863 compliant
- Country Of Origin: Taiwan
- TAA Compliant



**NOTE: UNLESS OTHERWISE SPECIFIED**

**100 PAIR 100 WIRING BLOCK WITH FEET**

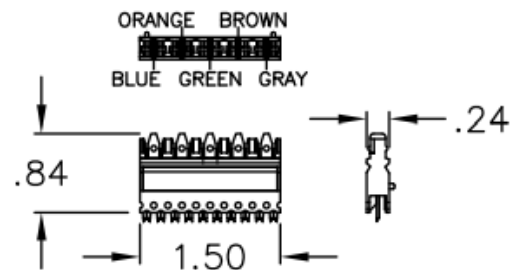
1. MATERIAL : PC, UL 94V-0
2. COLOR: IVORY



**NOTE: UNLESS OTHERWISE SPECIFIED**

**4 PAIR 100 PAIR 100 WIRING BLOCK WITH FEET**

2. MATERIAL:
  - a. CONTACT: COPPER ALLOY, 100 MICRO INCHES BRIGHT SOLDER OVER 100 MICRO INCHES OF NICKEL UNDERPLATE
  - b. HOUSING: ABS, UL 94V-0



**NOTE: UNLESS OTHERWISE SPECIFIED**

**4 PAIR 100 PAIR 100 WIRING BLOCK WITH FEET**

1. MATERIAL:
  - a. CONTACT: COPPER ALLOY, 100 MICRO INCHES BRIGHT SOLDER OVER 100 MICRO INCHES OF NICKEL UNDERPLATE
  - b. HOUSING: ABS, UL 94V-0

CAT 5e CONNECTING HARDWARE REQUIREMENTS										
FREQUENCY (MHz)	1.0	4.0	8.0	10.0	16.0	20.0	25.0	31.25	62.5	100
NEXT LOSS (db)	65.0	65.0	64.9	63.0	58.9	57.0	55.0	53.1	47.1	43.0
FEXT LOSS (db)	75.1	63.1	57.0	55.1	51.0	49.1	47.1	45.2	39.2	35.1
RETURN LOSS (db)	35.0	35.0	35.0	35.0	35.0	34.0	32.0	30.1	24.1	20.0
INSERTION LOSS(db)	0.10	0.10	0.10	0.10	0.20	0.20	0.20	0.20	0.30	0.40