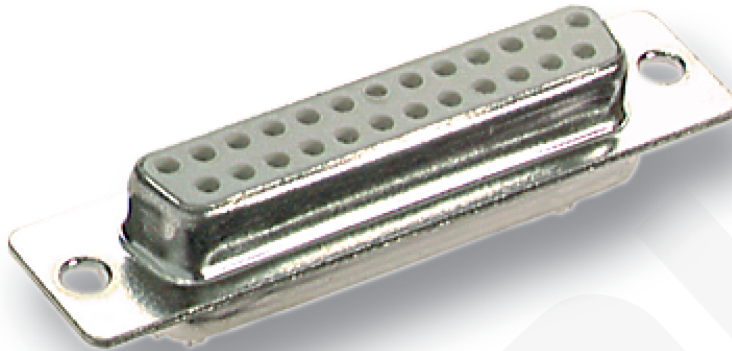


Conector sub D 15 H soldar Ecolan

Ref.: 28606.1



General data

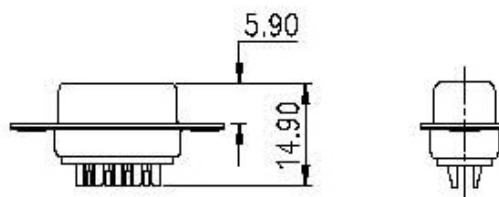
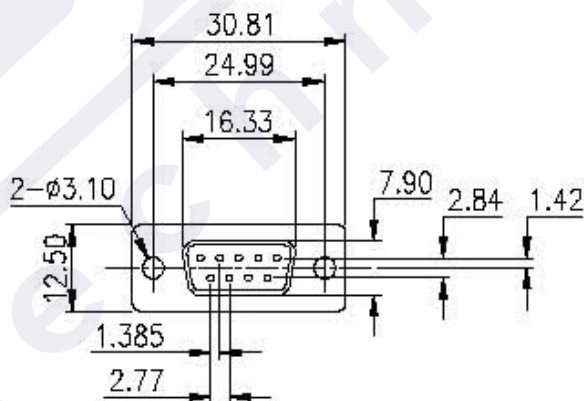
- Tin-plated housin
- Quality level III \geq 50 mating cycle

Allgemeine Daten

Model	jack
Connection type	solder

Elektrische Eigenschaften

Contact type	female
--------------	--------



Ideal Technology has a policy of continuous improvement. Specifications are subject to change without notice.