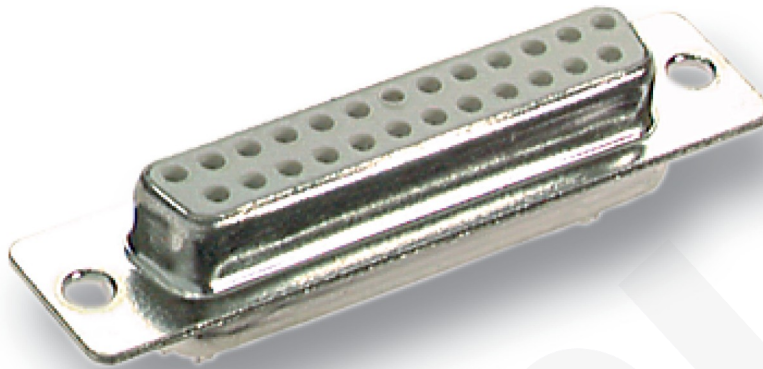


Conector sub D 25 H soldar



General data

- Tin-plated housing
- Quality level III \geq 50 mating cycles

Allgemeine Daten

Model	jack
Connection type	solder

Elektrische Eigenschaften

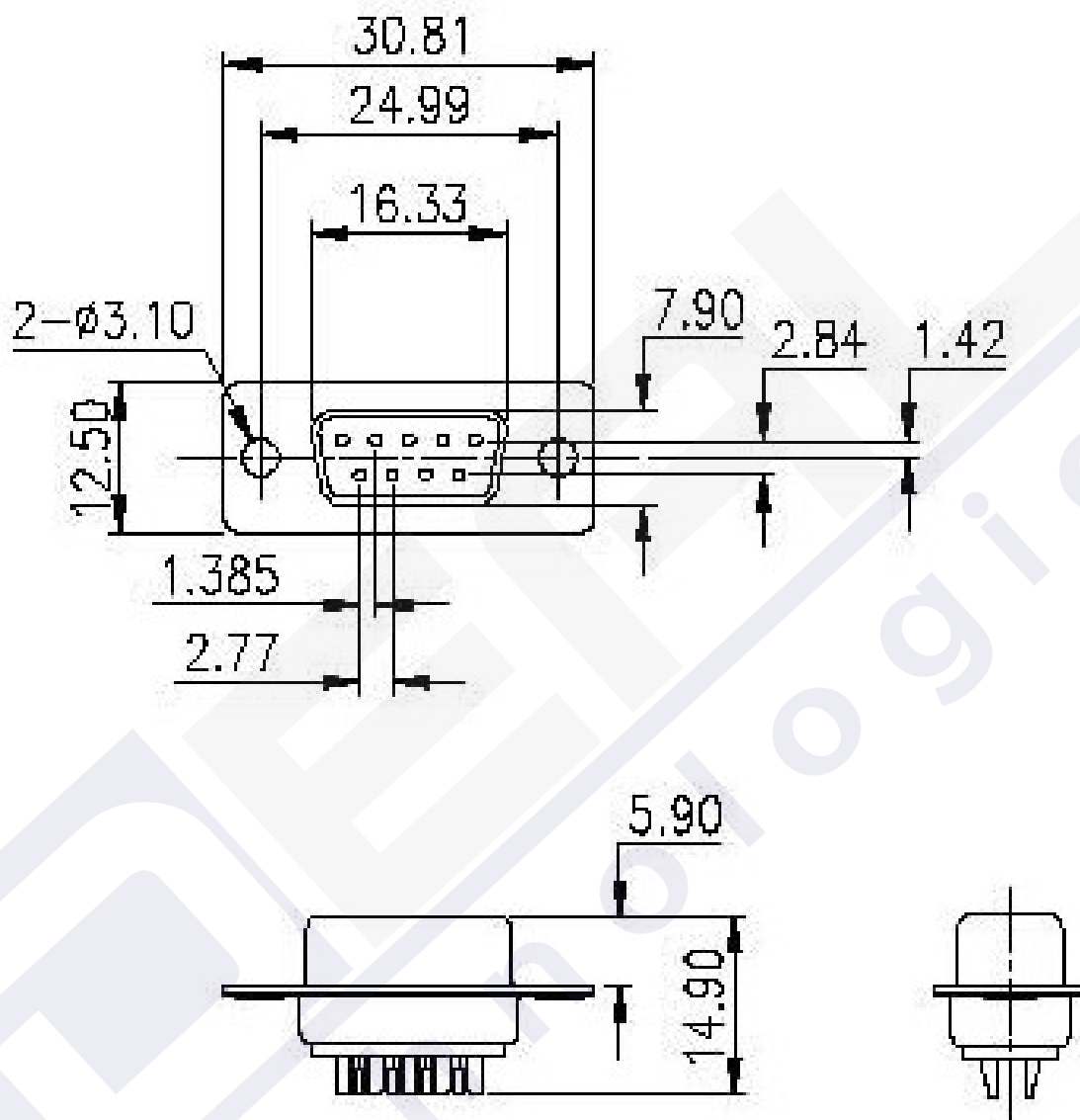
Contact type	female
--------------	--------

Available variants

ArtNr.	Bezeichnung	Number of poles	Type
28603.1	Dsub Solder Jack EDF 09 LL/Z, 09-pole	9	EDF 09 LL /Z
28606.1	Dsub Solder Jack EDF 15 LL/Z, 15-pole	15	EDF 15 LL /Z
28611.1	Dsub Solder Jack EDF 25 LL/Z, 25-pole	25	EDF 25 LL /Z
28614.1	Dsub Solder Jack EDF 37 LL/Z, 37-pole	37	EDF 37 LL /Z
28617.1	Dsub Solder Jack EDF 50 LL/Z, 50-pole	50	EDF 50 LL /Z

Ideal Technology has a policy of continuous improvement. Specifications are subject to change without notice.

Conector sub D 25 H soldar



Ideal Technology has a policy of continuous improvement. Specifications are subject to change without notice.