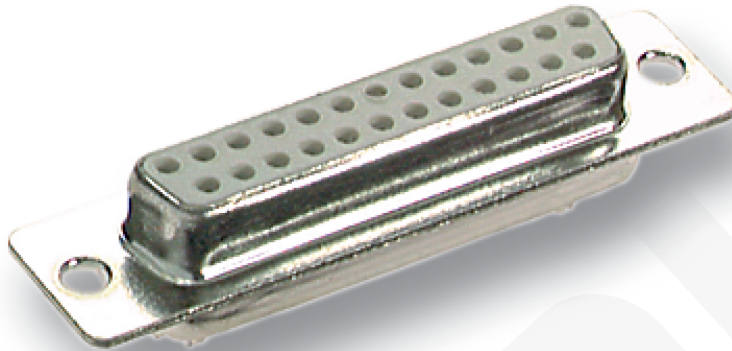


Conector sub D 37 H soldar Ecolan

Ref.: 28614.1



General data

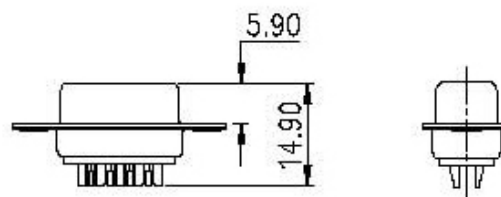
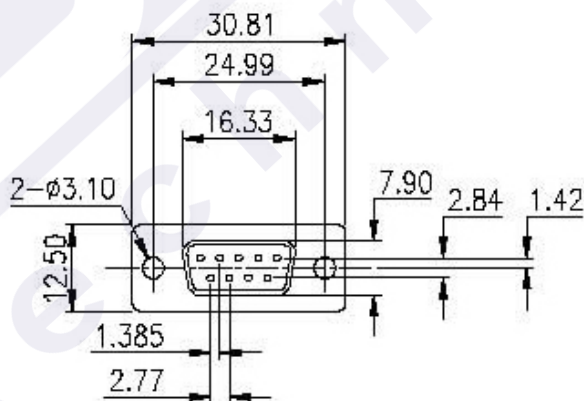
- Tin-plated housin
- Quality level III \geq 50 mating cycle

Allgemeine Daten

| | |
|-----------------|--------|
| Model | jack |
| Connection type | solder |

Elektrische Eigenschaften

| | |
|--------------|--------|
| Contact type | female |
|--------------|--------|



Ideal Technology has a policy of continuous improvement. Specifications are subject to change without notice.