

# Carcasa sub D 25 e-dh plástico negro Ecolan

Ref.: 29412.1



## General data

- Plastic housing, incl. thumb screw
- With snap fastene

## Allgemeine Daten

Material | Plastic

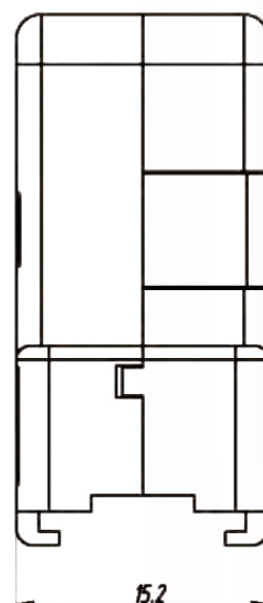
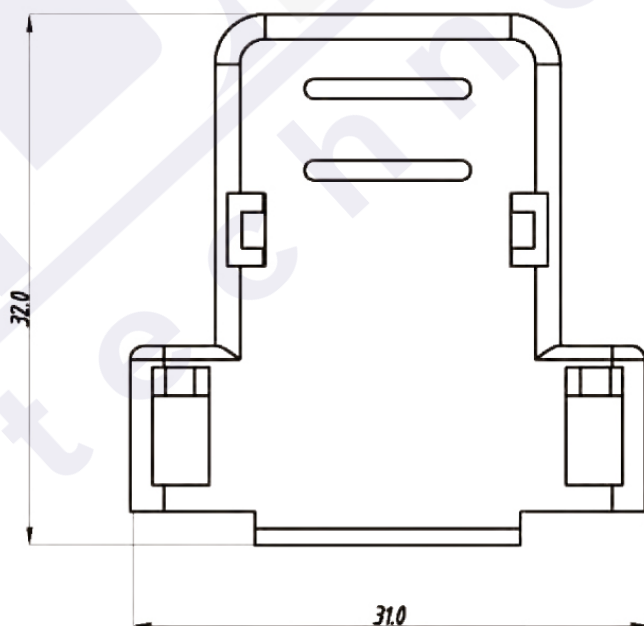
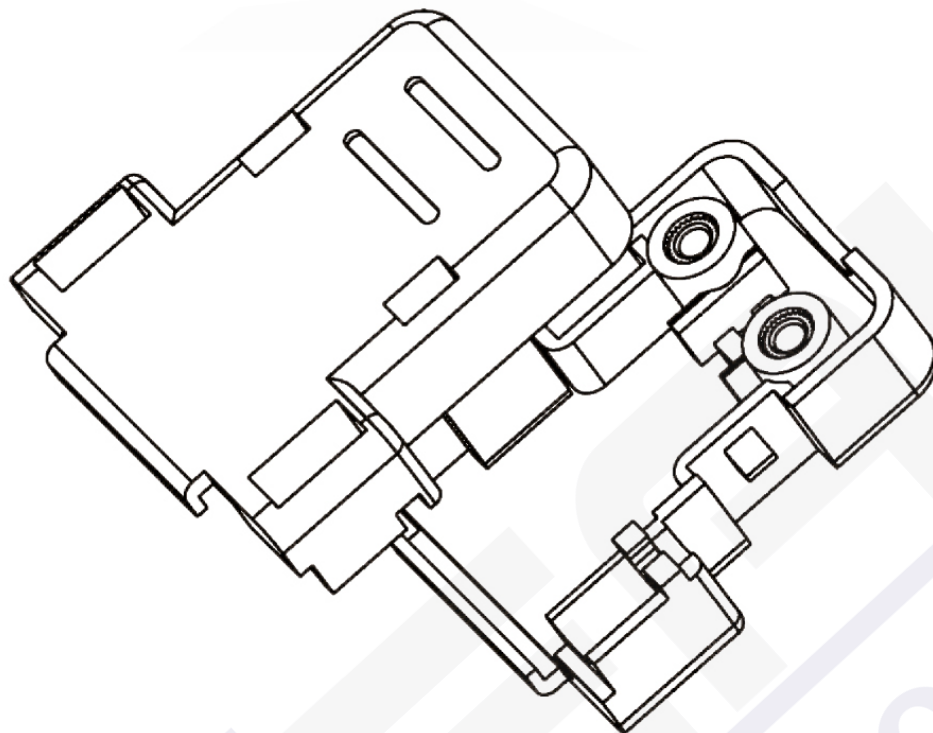
## Mechanische Eigenschaften

Two piece | True

Locking mechanism | Screw

Separable | True

# Carcasa sub D 9 e-dh plástico negro Ecolan



*Ideal Technology has a policy of continuous improvement. Specifications are subject to change without notice.*