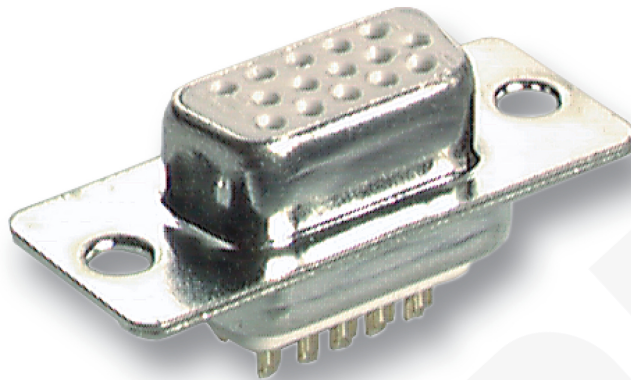


Conector sub D 15 HD H soldar Ecolan

Ref.: 34501.1



General data

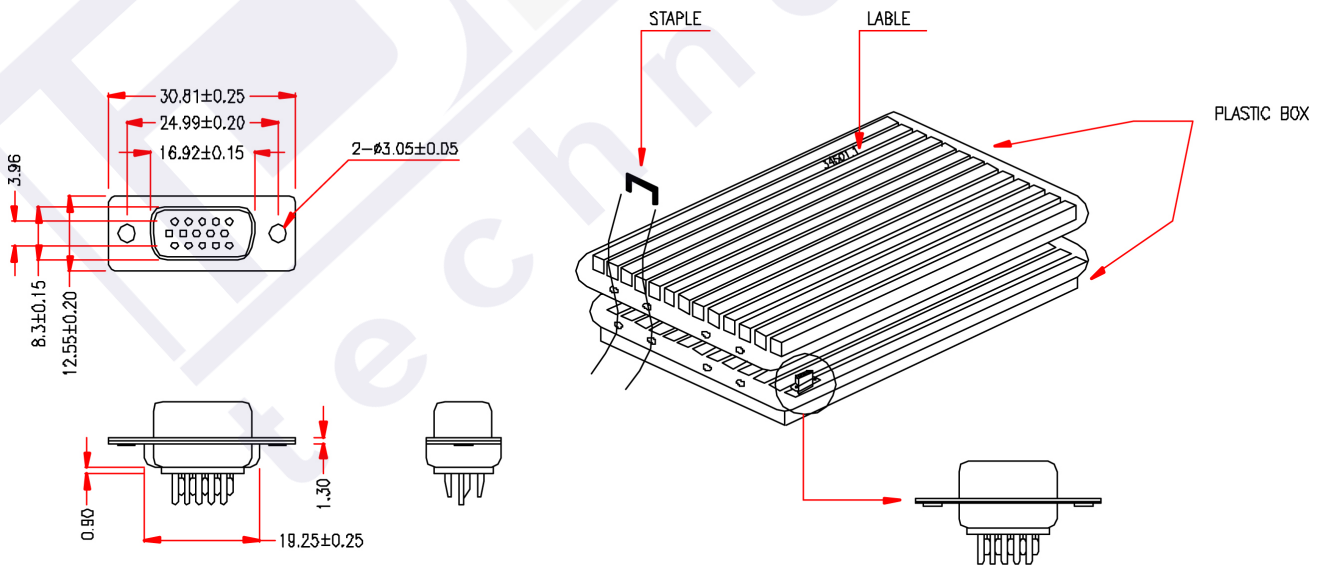
- Tin-plated housing
- Quality level III \geq 50 mating cycles

Allgemeine Daten

Model	jack
Connection type	solder

Elektrische Eigenschaften

Contact type	female
--------------	--------



Ideal Technology has a policy of continuous improvement. Specifications are subject to change without notice.