

NOTES:

1) MATERIAL:

- "BLANK" = NYLON 6/6, UNFILLED UL94V-2, COLOR: NATURAL.
- "BL" = NYLON 6/6, UNFILLED UL94V-2, COLOR: BLACK.
- "BU" = NYLON 6/6, UNFILLED UL94V-2, COLOR: BLUE.
- "RE" = NYLON 6/6, UNFILLED UL94V-2, COLOR: RED.
- "YE" = NYLON 6/6, UNFILLED UL94V-2, COLOR: YELLOW
- "GRE" = NYLON 6/6, UNFILLED UL94V-2, COLOR: GREEN.
- "210" = NYLON 6/6, UNFILLED UL94V-0, COLOR: NATURAL.
- "400" = NYLON 6/6, UNFILLED UL94V-0, COLOR: BLACK.

2) FINISH: NOT APPLICABLE

3) PRODUCT SPECIFICATION: PS-5556-001

4) PACKAGING: BULK PACKED PER PK-5557-002

5) PART MATES WITH MOLEX PLUG #5559, #172762-0*** AND HEADERS #5566, #5569.

6) PART TO BE USED WITH MOLEX FEMALE TERMINAL #5556, #45750.

7) PART IS NOT DESIGNED FOR CURRENT SHARING.

8) CONNECTORS ARE NOT TO BE MATED OR UNMATED WHILE CIRCUITS ARE LIVE.

9) WIRES ARE TO BE DRESSED IN SUCH A MANNER TO ALLOW THE TERMINALS TO FLOAT FREELY IN THE POCKET.

10) PART CONFORMS TO CLASS "B" REQUIREMENTS OF COSMETIC SPECIFICATION PS-45499-002 WITH THE EXCEPTION OF DISCOLORATION, FLASH AND SINK MEET CLASS "C" REQUIREMENTS.

11 TO BE MEASURED AT SURFACE [Z]

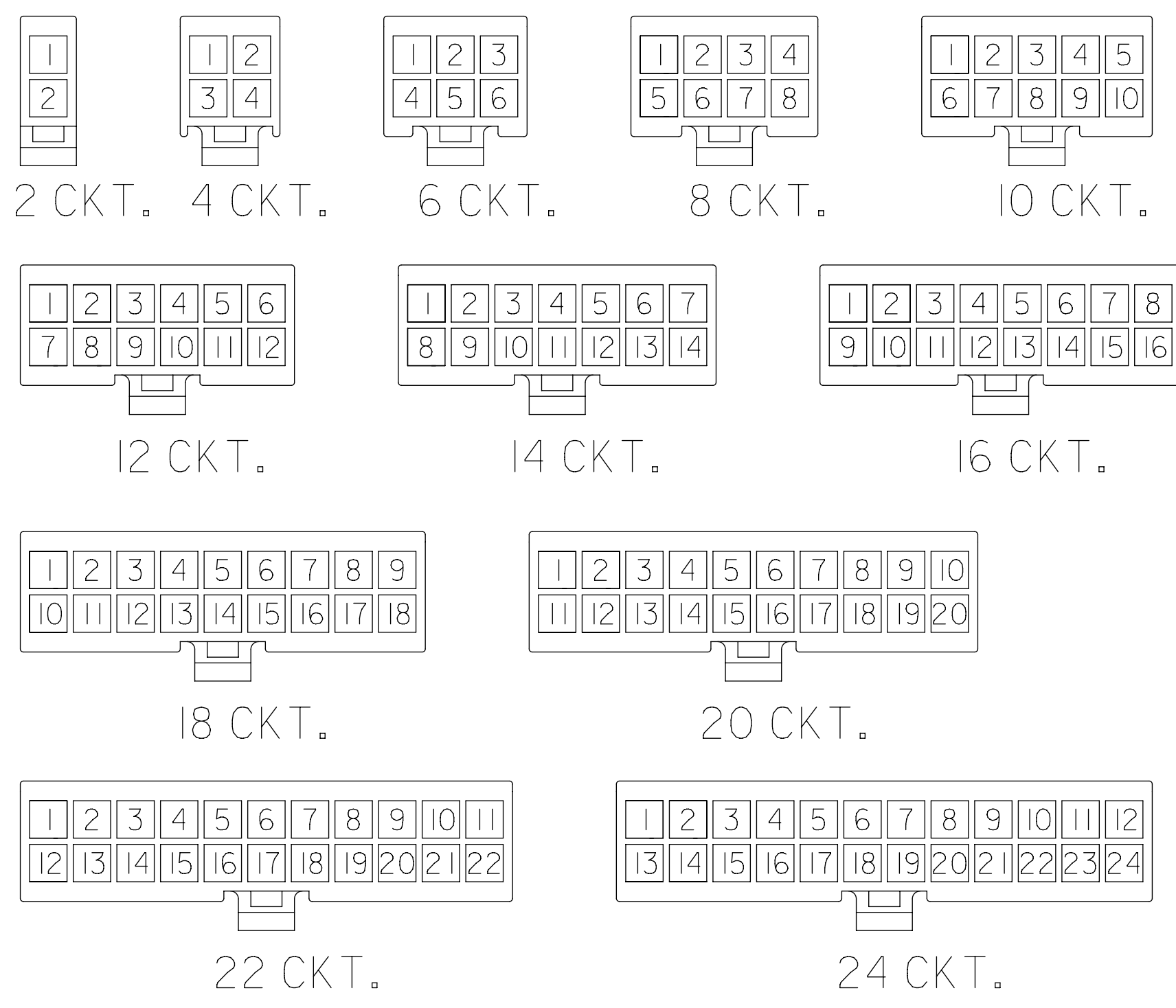
12 TEXT ON PART IS FOR REFERENCE ONLY. TEXT AND TEXT LOCATION MAY VARY DEPENDING ON PART NUMBER AND/OR TOOL.

13) BUBBLE IS ACCEPTABLE ON LATCH AREA.

2.031/(51.60)	1.819/(46.20)	24
1.866/(47.40)	1.654/(42.00)	22
1.701/(43.20)	1.488/(37.80)	20
1.535/(39.00)	1.323/(33.60)	18
1.370/(34.80)	1.157/(29.40)	16
1.205/(30.60)	0.992/(25.20)	14
1.039/(26.40)	0.827/(21.00)	12
0.874/(22.20)	0.661/(16.80)	10
0.709/(18.00)	0.496/(12.60)	8
0.543/(13.80)	0.331/(8.40)	6
0.378/(9.60)	0.165/(4.20)	4
0.213/(5.40)	---	2
A	B	NO. OF CKTS.

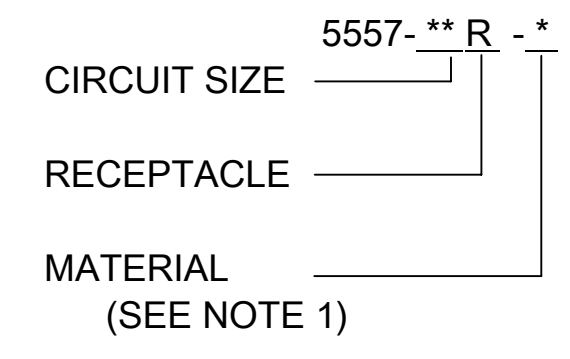
THIS DRAWING CONTAINS INFORMATION THAT IS PROPRIETARY TO MOLEX ELECTRONIC TECHNOLOGIES, LLC AND SHOULD NOT BE USED WITHOUT WRITTEN PERMISSION									
DIMENSION UNITS		SCALE		CURRENT REV DESC: RE-MASTERED USING THE MODEL SERIES 5557**00.					
IN/MM		NTS		<p>MINIFIT JR RECEPTACLE HOUSING DUAL ROW 2-24 CKT</p> <p>PRODUCT CUSTOMER DRAWING</p> <p>DOCUMENT NUMBER: SD-5557-003 DOC TYPE: PSD DOC PART: 000 REVISION: K1</p> <p>MATERIAL NUMBER: SEE TABLE CUSTOMER: GENERAL MARKET SHEET NUMBER: 1 OF 2</p>					
GENERAL TOLERANCES (UNLESS SPECIFIED)									
		MM	INCH						
4 PLACES	±								
3 PLACES	±	0.01							
2 PLACES	±	0.25	0.015						
1 PLACE	±	0.38							
0 PLACES	±								
ANGULAR TOL		± 0.5 °		EC NO: 778837		2024/02/12			
DRAFT WHERE APPLICABLE MUST REMAIN WITHIN DIMENSIONS		THIRD ANGLE PROJECTION		DRAWING		SERIES			
				C-SIZE		5557			

DOCUMENT STATUS	P1	RELEASE DATE	2024/03/04	02:00:21
-----------------	----	--------------	------------	----------



CIRCUIT SIZE LAYOUT
(NOT TO SCALE)

LEGEND



	V-0 (BLACK)			V-0 (NATURAL)		
	EDP. NO.	ENG. NO.	NO. OF CKTS.	EDP. NO.	ENG. NO.	NO. OF CKTS.
	39-03-9242	5557-24R-400	24	39-01-2245	5557-24R-210	24
	-	-	22	39-01-2225	5557-22R-210	22
	-	-	20	39-01-2205	5557-20R-210	20
	39-03-9182	5557-18R-400	18	39-01-2185	5557-18R-210	18
	39-03-9162	5557-16R-400	16	39-01-2165	5557-16R-210	16
	39-03-9142	5557-14R-400	14	39-01-2145	5557-14R-210	14
	39-03-9122	5557-12R-400	12	39-01-2125	5557-12R-210	12
	39-03-9102	5557-10R-400	10	39-01-2105	5557-10R-210	10
	39-03-9082	5557-08R-400	8	39-01-2085	5557-08R-210	8
	39-03-9062	5557-06R-400	6	39-01-2065	5557-06R-210	6
	39-03-9042	5557-04R-400	4	39-01-2045	5557-04R-210	4
	39-03-9022	5557-02R-400	2	39-01-2025	5557-02R-210	2
	EDP. NO.	ENG. NO.	NO. OF CKTS.	EDP. NO.	ENG. NO.	NO. OF CKTS.

* = CONSULT FACTORY FOR AVAILABILITY.

	V-2 (BLUE)			V-2 (GREEN)			V-2 (YELLOW)			V-2 (RED)			V-2 (BLACK)			V-2 (NATURAL)		
	EDP. NO.	ENG. NO.	NO. OF CKTS.	EDP. NO.	ENG. NO.	NO. OF CKTS.	EDP. NO.	ENG. NO.	NO. OF CKTS.	EDP. NO.	ENG. NO.	NO. OF CKTS.	EDP. NO.	ENG. NO.	NO. OF CKTS.	EDP. NO.	ENG. NO.	NO. OF CKTS.
			24			24			24	-	-	24	-	-	24	39-01-2240	5557-24R	24
			22			22			22	-	-	22	39-01-3225	5557-22R-BL	22	39-01-2220	5557-22R	22
			20			20			20	-	-	20	-	-	20	39-01-2200	5557-20R	20
			18			18			18	-	-	18	-	-	18	39-01-2180	5557-18R	18
			16			16			16	-	-	16	-	-	16	39-01-2160	5557-16R	16
			14			14			14	-	-	14	-	-	14	39-01-2140	5557-14R	14
			12			12			12	-	-	12	39-01-3125	5557-12R-BL	12	39-01-2120	5557-12R	12
*	39-02-7108	5557-10R-BU	10			10			10	-	-	10	39-01-3105	5557-10R-BL	10	39-01-2100	5557-10R	10
			8			8			8	-	-	8	39-01-3085	5557-08R-BL	8	39-01-2080	5557-08R	8
			6			6			6	39-02-8060	5557-06R-RE	6	39-01-3065	5557-06R-BL	6	39-01-2060	5557-06R	6
			4			4			4	* 39-02-8040	5557-04R-RE	4	39-01-3045	5557-04R-BL	4	39-01-2040	5557-04R	4
			2			2			2	-	-	2	39-01-3025	5557-02R-BL	2	39-01-2020	5557-02R	2
	EDP. NO.	ENG. NO.	NO. OF CKTS.	EDP. NO.	ENG. NO.	NO. OF CKTS.	EDP. NO.	ENG. NO.	NO. OF CKTS.	EDP. NO.	ENG. NO.	NO. OF CKTS.	EDP. NO.	ENG. NO.	NO. OF CKTS.	EDP. NO.	ENG. NO.	NO. OF CKTS.

THIS DRAWING CONTAINS INFORMATION THAT IS PROPRIETARY TO MOLEX ELECTRONIC TECHNOLOGIES, LLC AND SHOULD NOT BE USED WITHOUT WRITTEN PERMISSION

DIMENSION UNITS	SCALE	CURRENT REV DESC: RE-MASTERED USING THE MODEL SERIES 5557**00.
IN/MM	NTS	molex
GENERAL TOLERANCES (UNLESS SPECIFIED)		
4 PLACES	±	MINIFIT JR RECEPTACLE HOUSING DUAL ROW 2-24 CKT PRODUCT CUSTOMER DRAWING DOCUMENT NUMBER: SD-5557-003 DOC TYPE: PSD DOC PART: 000 REVISION: K1 MATERIAL NUMBER: SEE TABLE CUSTOMER: GENERAL MARKET SHEET NUMBER: 2 OF 2
3 PLACES	±	
2 PLACES	± 0.25	
1 PLACE	± 0.38	
0 PLACES	±	
ANGULAR TOL	± 0.5 °	
DRAFT WHERE APPLICABLE MUST REMAIN WITHIN DIMENSIONS	THIRD ANGLE PROJECTION	EC NO: 778837 DRWN: NAVEEK19 CHK'D: XQZHANG APPR: XQZHANG 2024/02/12 2024/03/04 2024/03/04 INITIAL REVISION: DRWN: S.MOCHIZUKI APPR: FSMITH 1990/02/22 2011/02/21 DRAWING SERIES: C-SIZE 5557