

DATASHEET

19" Network Cabinet IP55, Pre-Assembled Plinth, RAL7035 / RAL9005

Art.-No. 69xxxxIP55.xx



Front and rear door steel, 1-part,
with turning handle



Front door opened



Side view from the right
(left side = front side)

Common Specifications

- 19" network cabinet according to DIN 41494
- Steel sheet housing with welded frame, completely pre-assembled
- Pre-assembled plinth 100 mm
- Inside front and rear 4 x 19" profiles (2 front, 2 rear), galvanised, depth-adjustable in 25 mm raster
- Numbering of rack units at the profiles
- Front and rear door steel, 1-part
- Front and rear door with 2-point-bar locking with turning handle, lockable (profile half-cylinder not exchangeable by customer)
- Front and rear door with door opening angle > 120°
- Side walls not detachable
- Inner roof with cutout for accommodation of fan units (see table at page 2)
- Bottom prepared with inlet filters and cable entry grommets Ø 80 mm (material rubber, conical)
- All cabinets sections inside completely grounded
- Max. load 1000 kg static
- Paint finish RAL7035, light grey / RAL9005, jet black
- Protection degree IP55
- Included in delivery: 1 x set of captive nuts (PU 20 pcs.), plinth pre-assembled, 2 x key
- Delivery in transport packaging on disposable pallet



Art.Nr.	69xxxxIP55_xx	Datei	69xxxxIP55_xx.indd		
Beschreibung	19" Netzwerkschrank IP55, vormontierter Sockel, RAL7035 / RAL9005				
Erstellt	Datum	Letzte Revision	Datum	Geprüft	Datum
MN	28.02.2018	MN	28.02.2018	MN	28.02.2018

DATASHEET

19" Network Cabinet IP55, Pre-Assembled Plinth, RAL7035 / RAL9005

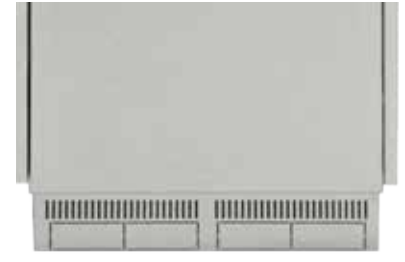
Art.-No. 69xxxxIP55.xx



Front door with gasket and solid hinges



Bottom sheet with filters and conical rubber grommets for cable entry



Pre-assembled plinth with air inlets and cable entry openings (lateral).
Plinth height 100 mm.

Cabinet depth	600 mm	800 mm	1000 mm	
Distance of the 19" levels (front - front)	350 mm	550 mm	750 mm	

Ordering Data

Art.-No.	U	Width	Depth	Height	Front Door	Rear Door	Colour
692442IP55.GR	42	800 mm	1000 mm	2160 mm	Steel door, 1-part	Steel door, 1-part	RAL7035, light grey
691742IP55.GR	42	800 mm	800 mm	2160 mm	Steel door, 1-part	Steel door, 1-part	RAL7035, light grey
692724IP55.GR	24	800 mm	800 mm	1360 mm	Steel door, 1-part	Steel door, 1-part	RAL7035, light grey
692524IP55.GR	24	600 mm	600 mm	1360 mm	Steel door, 1-part	Steel door, 1-part	RAL7035, light grey

Art.-No.	U	Width	Depth	Height	Front Door	Rear Door	Colour
692442IP55.TS	42	800 mm	1000 mm	2160 mm	Steel door, 1-part	Steel door, 1-part	RAL9005, black
691742IP55.TS	42	800 mm	800 mm	2160 mm	Steel door, 1-part	Steel door, 1-part	RAL9005, black
692724IP55.TS	24	800 mm	800 mm	1360 mm	Steel door, 1-part	Steel door, 1-part	RAL9005, black
692524IP55.TS	24	600 mm	600 mm	1360 mm	Steel door, 1-part	Steel door, 1-part	RAL9005, black

Suitable Accessories (Fans)

Cabinet Dimensions	Width	Depth	Height	Suitable Fans	Suitable Fans (Art.-No.)
692442IP55.xx	800 mm	1000 mm	2160 mm	2-/4-/6-fan	691654V3 / 691655V3 / 691659V3
691742IP55.xx	800 mm	800 mm	2160 mm	2-/4-/6-fan	691654V3 / 691655V3 / 691659V3
692724IP55.xx	800 mm	800 mm	1360 mm	2-/4-/6-fan	691654V3 / 691655V3 / 691659V3
692524IP55.xx	600 mm	600 mm	1360 mm	only 2-fan	691654V3

2-fan unit
Art.-No. 691654V3



4-fan unit
Art.-No. 691655V3



6-fan unit
Art.-No. 691659V3



In cabinets width x height = 600 x 600 mm, 2-fan units are mountable
For 800 x 800 mm cabinets, 2-/4- and 6-fan unit are mountable



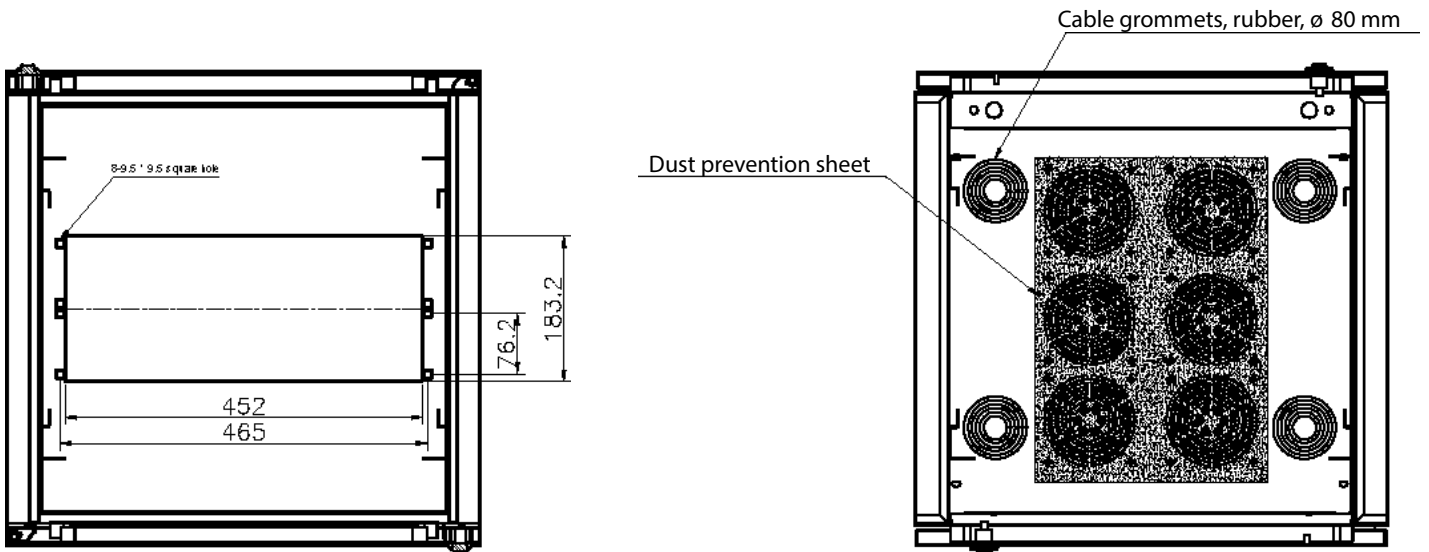
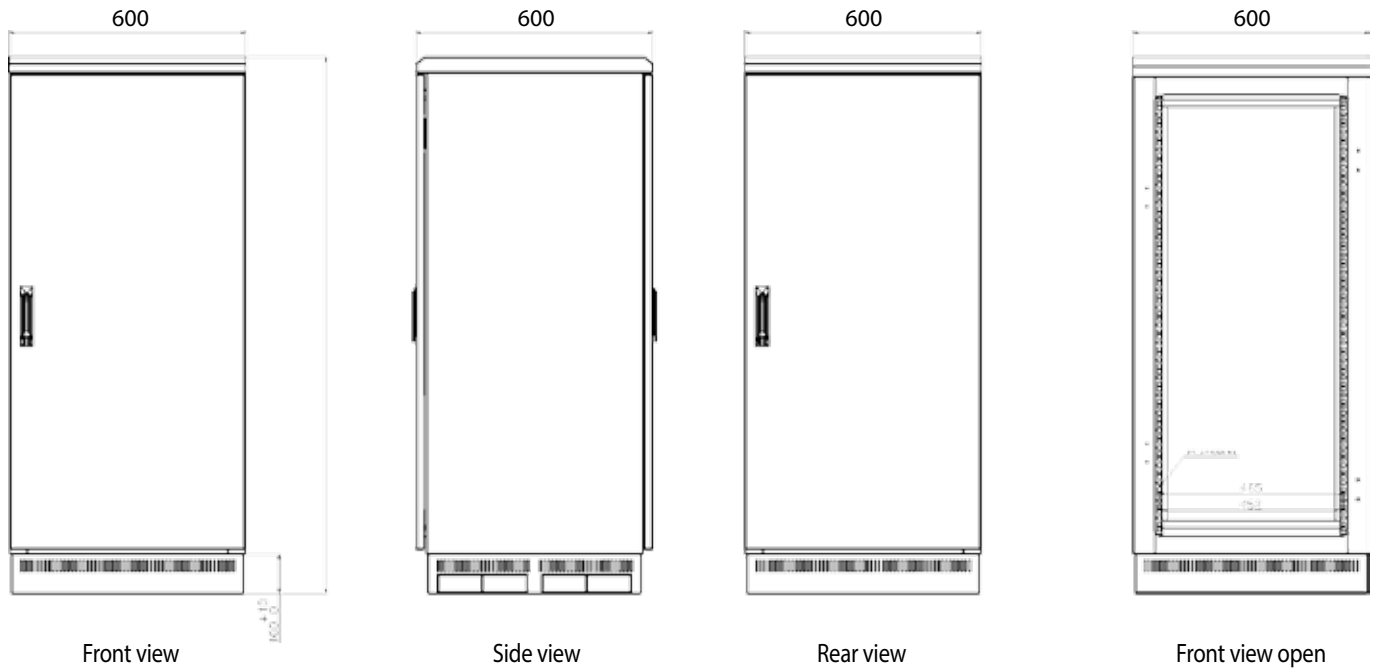
Art.Nr.	69xxxxIP55_xx	Datei	69xxxxIP55_xx.indd		
Beschreibung	19" Netzwerkschrank IP55, vormontierter Sockel, RAL7035 / RAL9005				
Erstellt	Datum	Letzte Revision	Datum	Geprüft	Datum
MN	28.02.2018	MN	28.02.2018	MN	28.02.2018

DATASHEET

19" Network Cabinet IP55, Pre-Assembled Plinth, RAL7035 / RAL9005

Art.-No. 69xxxxIP55.xx

Technical Drawings 600 x 600 mm



Fan opening suitable for EFB 2-fan unit
Art.-No. 691654(TS)V3



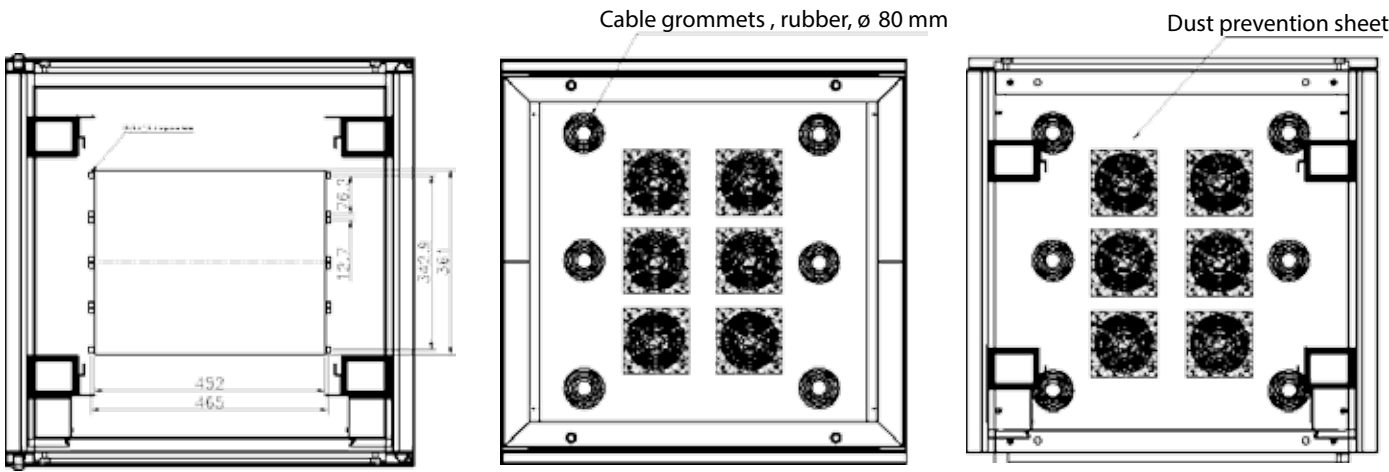
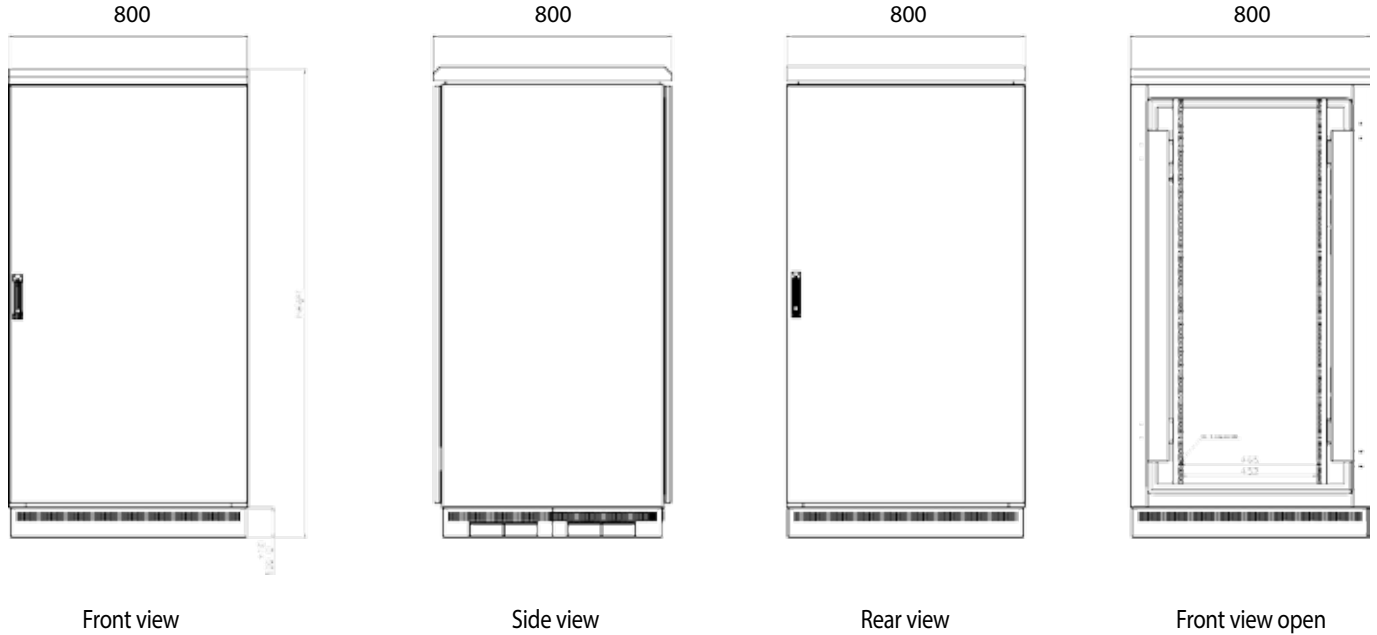
Art.Nr.	69xxxxIP55_xx	Datei	69xxxxIP55_xx.indd		
Beschreibung	19" Netzwerkschrank IP55, vormontierter Sockel, RAL7035 / RAL9005				
Erstellt	Datum	Letzte Revision	Datum	Geprüft	Datum
MN	28.02.2018	MN	28.02.2018	MN	28.02.2018

DATASHEET

19" Network Cabinet IP55, Pre-Assembled Plinth, RAL7035 / RAL9005

Art.-No. 69xxxxIP55.xx

Technical Drawings 800 x 800 mm



Fan opening suitable for EFB 2-/4-/6-fan unit
 Art.-No. 691654(TS)V3 / 691655(TS)V3 / 691659 (TS)V3



Art.Nr.	69xxxxIP55_xx	Datei	69xxxxIP55_xx.indd		
Beschreibung	19" Netzwerkschrank IP55, vormontierter Sockel, RAL7035 / RAL9005				
Erstellt	Datum	Letzte Revision	Datum	Geprüft	Datum
MN	28.02.2018	MN	28.02.2018	MN	28.02.2018