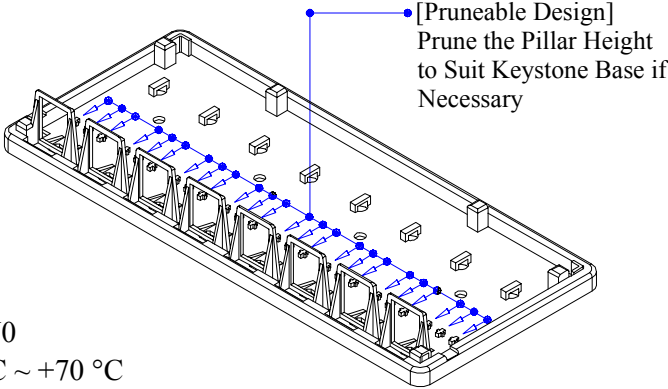
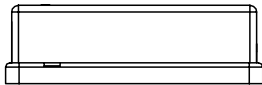
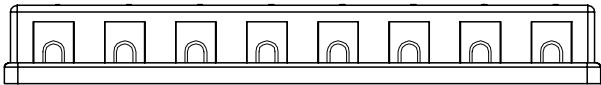
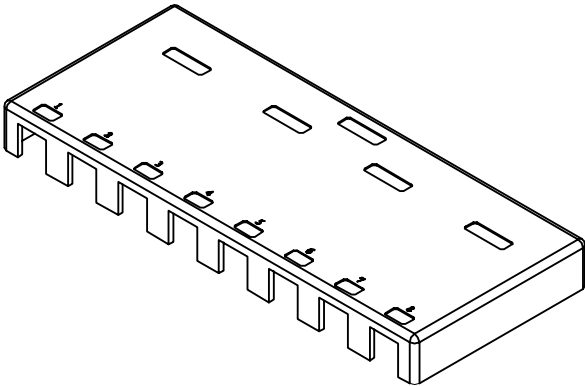
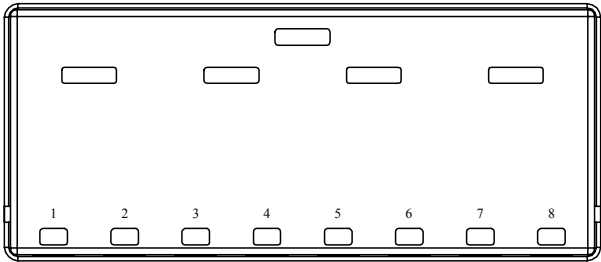


RoHS

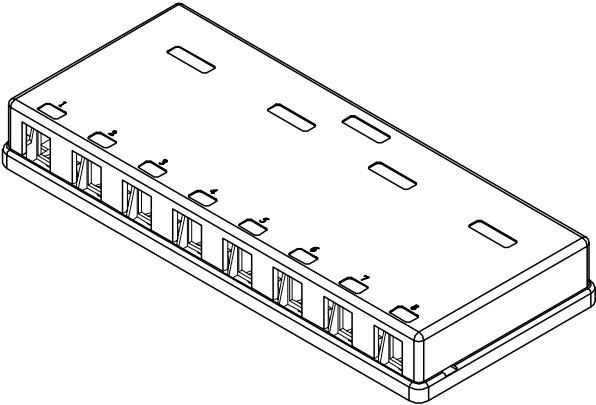
REV.	DESCRIPTION	DATE
A		02-2014



**Materials:**

Body : Fireproof ABS UL-94V0

Operation Temperature : -40 °C ~ +70 °C



ITEM NUMBER	CAC8			DRAWER	JL
TITLE	Blank Surface Mount Box for Keystones, 8 Hole, White			CHECKED	
MATERIAL		SCALE		APPROVED	
REV.	A	UNIT	MM		
DRAWING NO:					