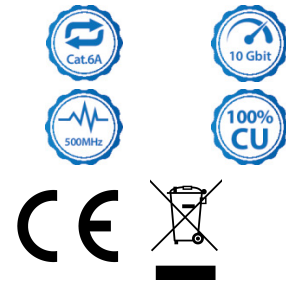
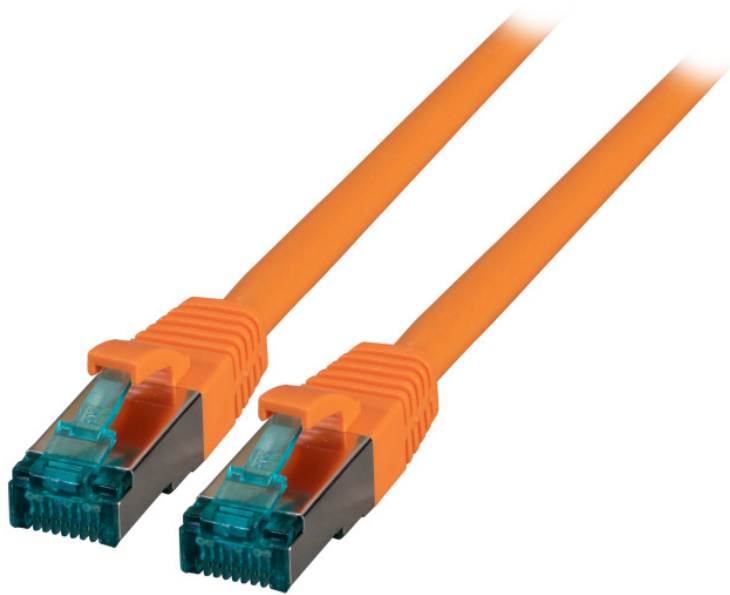


Latiguillo SFTP Cat. 6A LSZH



Description

The shielded Cat.6A RJ45 patch cable ensures excellent performance for **10 Gigabit** Ethernet applications. The moulded grommet captivates with its **slim design** and thus simplifies the insertion process in cramped conditions.

Cross section 4 x 2 x AWG27/7

Length imprint on boot

Available in **11 colours**

General data

| | |
|--------------------------------|--|
| Area of Application | Structured cabling;Industrial Ethernet;Data center |
| Category | 6A (TIA) |
| Type of connector connection 1 | RJ45 8(8) |
| Type of connector connection 2 | RJ45 8(8) |
| Connector type | RJ45 Standard green |
| Contacts | Gold plated |
| Pin assignment | 1:1 |
| Allocation | acc. TIA/EIA 568B |
| Type | Shielded |
| Length imprint | True |
| Anti-kink sleeve | plugged in |
| Colour anti-kink sleeve | orange |

General data

| | |
|---------------|-------|
| Locking lever | True |
| UL approbated | False |

Ideal Technology has a policy of continuous improvement. Specifications are subject to change without notice.

Mechanical characteristics

| | |
|--|-------------------------|
| Mating cycles | 2000 |
| Bending radius | >30 mm |
| Conductive shield | Selected shield contact |
| Suitable for degree of protection (IP) | IP20 |

Cable construction

| | |
|--------------------|--------|
| Raw cable | Cat.6A |
| Cable type | S/FTP |
| Total screening | 80 % |
| Cable construction | 4x2 |
| AWG-size | 27/7 |
| Conductor Material | Copper |

Cable sheath

| | |
|-----------------------------|--|
| Silicone-free | True |
| Jacket material | LSZH |
| Colour outer sheath | orange |
| Printing | Cat.6A PATCH S/FTP 4x2xAWG27/7 LSZH ISO/IEC11801 ANSI/TIA-568-C.2 ***10Gigabit Ethernet*** |
| Outer diameter of the cable | 6.0 mm |
| Flame-retardant | True |
| Halogen-free | True |
| Low smoke | True |

Environmental conditions

| | |
|-------------------|-------------|
| Temperature range | -20 – 60 °C |
|-------------------|-------------|

Electrical characteristics

| | |
|-------------------------|-----------|
| NVP value | 74 % |
| Impedance | 100 ±15 Ω |
| Conductor resistance DC | 185 Ω/km |
| Loop resistance | 370 Ω/km |
| Resistance unbalance | 3 % |
| Insulation resistance | 10 MΩ |

Electrical characteristics

| | |
|-------------------------------|--|
| Contact resistance | 30 mΩ |
| Test voltage | 1000 V DC, 1min |
| POE class | PoE acc. to IEEE802.3af;PoE+ acc. to IEEE802.3at;4PPoE acc. to IEEE802.3bt |
| Current capacity | max. 1 A |
| Operating-/ tempering voltage | max. 50 V DC |

Latiguillo SFTP Cat. 6A LSZH

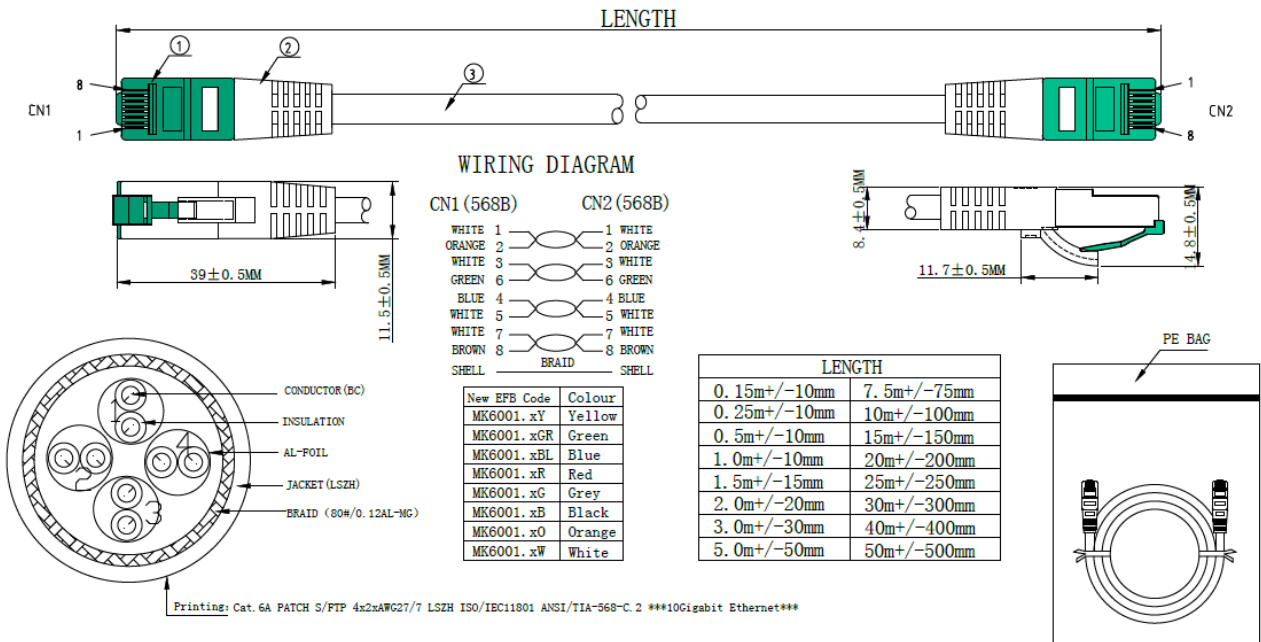


Transmission characteristics

| | |
|--------------|--------|
| Bandwidth | 500MHz |
| Transmission | 10Gbit |

Standards, approvals, certifications

| | |
|-----------|----------------|
| Connector | IEC 60603-7-51 |
|-----------|----------------|



Ideal Technology has a policy of continuous improvement. Specifications are subject to change without notice.