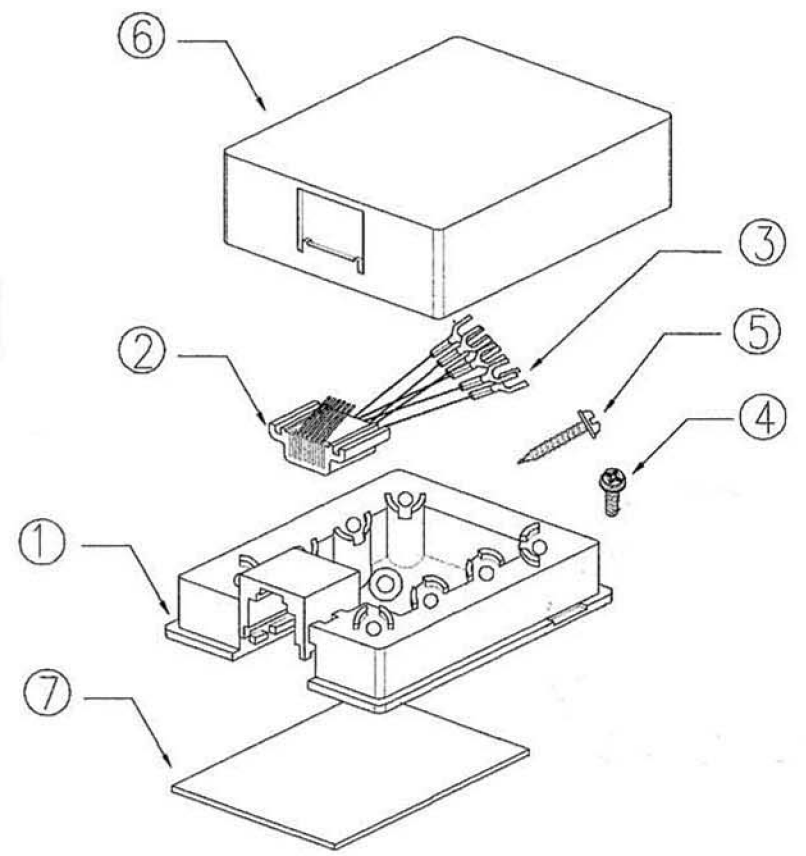


- P1**
- 2 - BLACK
 - 3 - RED
 - 4 - GREEN
 - 5 - YELLOW



RT01A

1xRJ-11 6P4C MODULAR SURFACE

7	PCS	1	Double-side tape	L x W x H 50 x 40 x 1.2mm
6	PCS	1	Top housing	Material : ABS beige
5	PCS	2	Screw	Material : 3.5 x 20mm Nickel-plated steel
4	PCS	6	Screw	Material : 3.5 x 5.5mm Nickel-plated steel
3	PCS	6		3U"gold flash connector 26 Awg stranded cable UL 1061
2	PCS	1		Material : ABS
1	PCS	1	Bottom housing	Material : ABS beige

Wiring diagram:

