

# Keystone DIN-Rail Adapter for RJ45 Module



Part no.: AD25186

## Technical Features

For one RJ45 keystone module

Fits into standard 35mm DIN rail

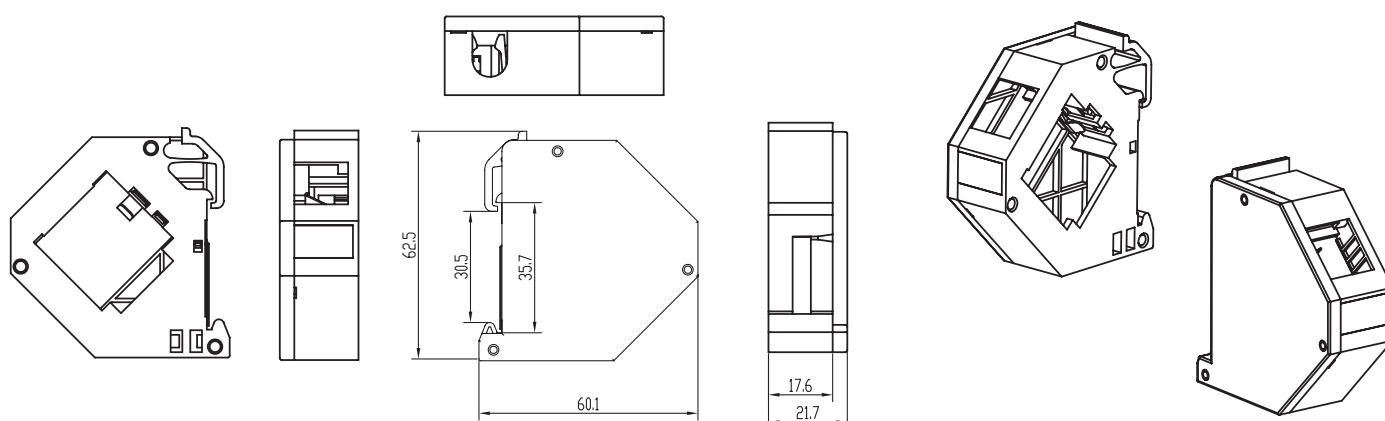
ABS housing; Light grey

With shield plate (grounding)

Keystone Port: 16.3 x 15mm

Stackable

## Technical Drawings



*Ideal Technology tiene una política de mejora continua. Las especificaciones están sujetas a cambios sin previo aviso.*