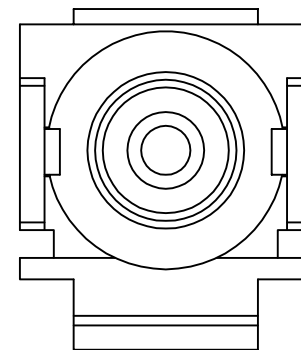
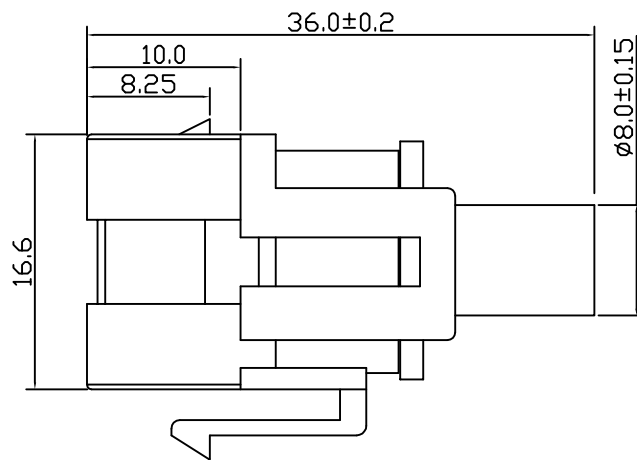
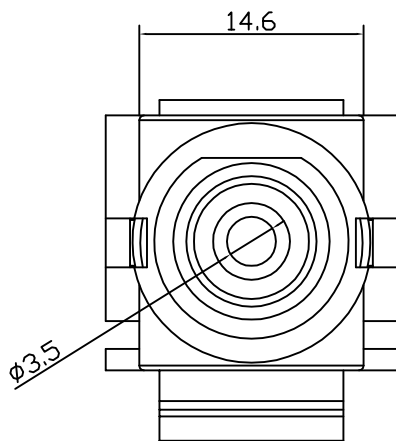
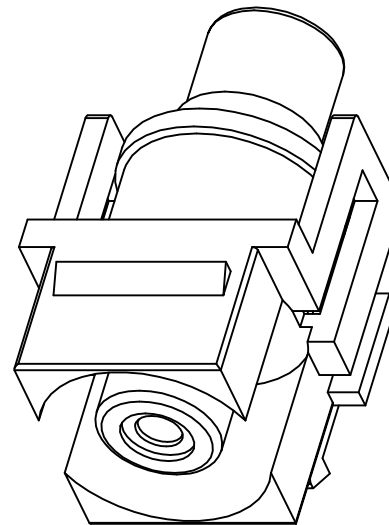
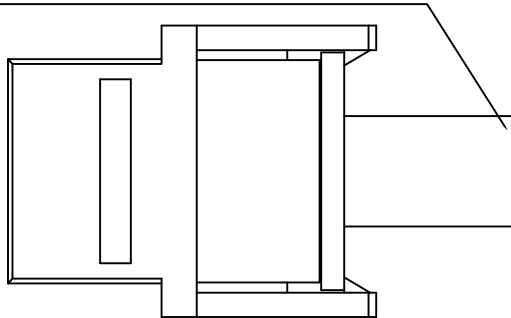


3.5 Stereo Jack/3.5 Stereo Jack



OTHER TOLERANCE: ± 0.1

				DESCRIPTION	3.5 Stereo Keystone Insert	SCALE	FIT	UNITS: mm	1RD ANGLE
				MODEL NO,					
APPROVED	CHECKED	DRAWING	DESIGNED	DRAWING NO,					
		Jim		FINISHING		▲	9/21/2010	A1	
				MATERIAL		SYM			REVISION