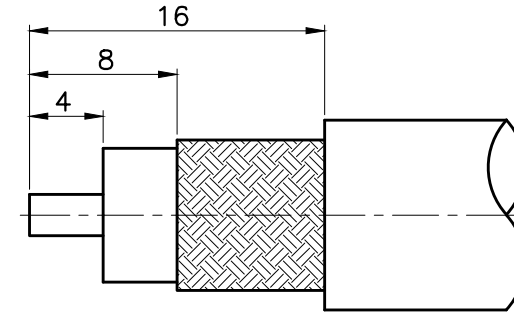
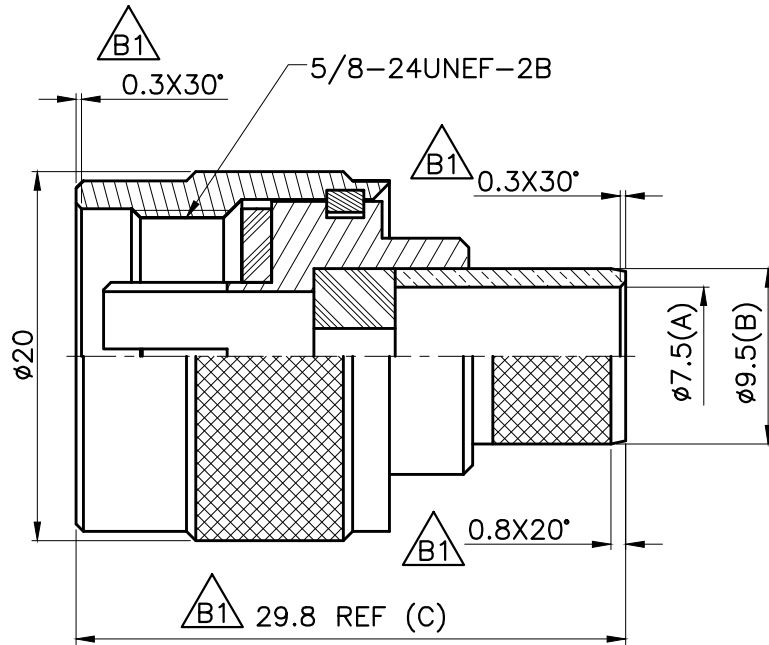
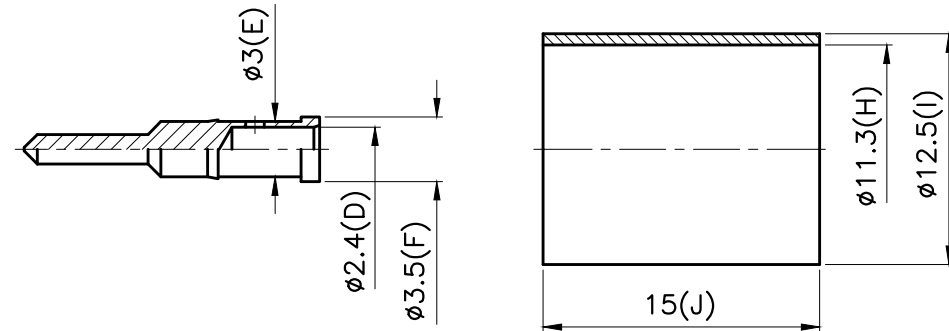


REVISIONS		
ISS	DESCRIPTION	DATE
B1		05/25/12


RoHS COMPLIANT



RECOMMENDED
CABLE STRIPPING DIM'S



1. CRIMPED FERRULE
HEX CRIMP SIZE .429"
2. CRIMPED CONTACT PIN
HEX CRIMP SIZE .100" OR SOLDER

 TITLE: N MALE CRIMP (FOR 214/U)	APRD: JTR	UNLESS OTHERWISE SPECIFIED TOLERANCES 0.5-6 = ±0.2 >6-30 = ±0.4 >30-120 = ±0.6 >120-315 = ±1 >315-1000 = ±1.6 ANGLES = ±5°	FERRULE	BRASS	NICKEL
	CHKD:		CONTACT PIN	BRASS	GOLD
	DR:		SHELL	BRASS	NICKEL
PART NO: CN1134J	DATE: 05/25/12	UNIT: mm	C RING	BRASS	NONE
DRAWING NO: 030	SHEET: .	SCALE: 2.5/1	GASKET	RUBBER	RED
			BODY	BRASS	NICKEL
			INSULATOR	TEFLON	WHITE
			BODY	BRASS	NICKEL
			NO. DESCRIPTION	MATERIAL	FINISH