

DAC & AOC CABLES

Direct Attach Cables & Active Optical Cables

Quick Start Guide **V1.0**

1

Safety Information

⊙ Note ○ Warning



The cables can only be installed or replaced by qualified personnel.



Please wear antistatic gloves.



Caution against moisture.



Do not disassemble or modify the cables.



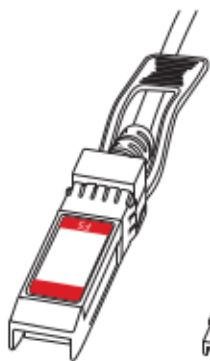
Do not approach or look directly at the optical fiber exit with naked eyes.



Excessive bending is strictly prohibited.

2

Product View

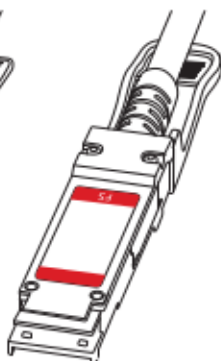


10G SFP+ DAC

10G SFP+ AOC

25G SFP28 DAC

25G SFP28 AOC



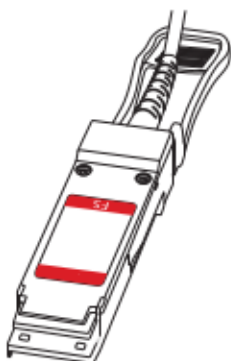
40G QSFP+ DAC

40G QSFP+ to 4x SFP+ DAC

40G QSFP+ AOC

40G QSFP+ to 4x SFP+ AOC

40G QSFP+ to 8x LC AOC



100G QSFP28 DAC

100G QSFP28 to 4x SFP28 DAC

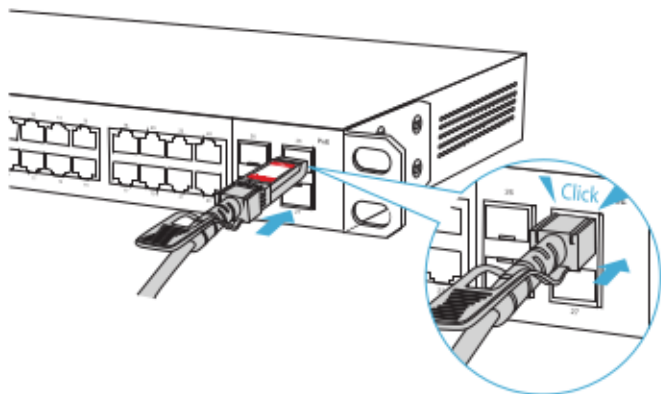
100G QSFP28 AOC

100G QSFP28 to 4x SFP28 AOC

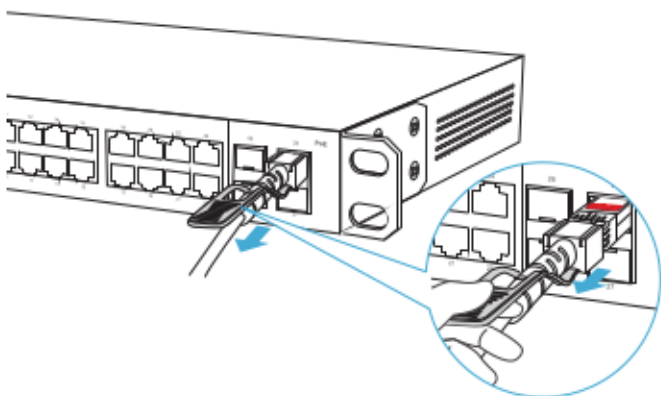
3

DAC & AOC Installation and Removal

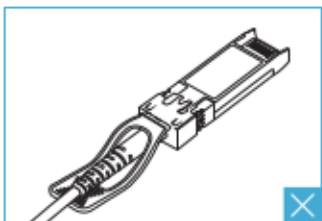
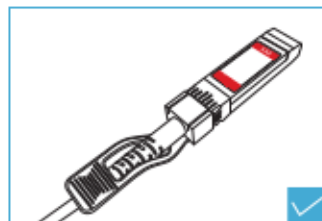
3-1 Installing a 10G/25G DAC or AOC.



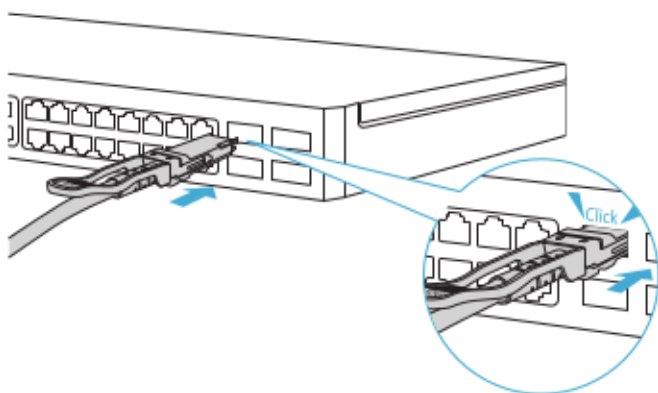
Removing a 10G/25G DAC or AOC.



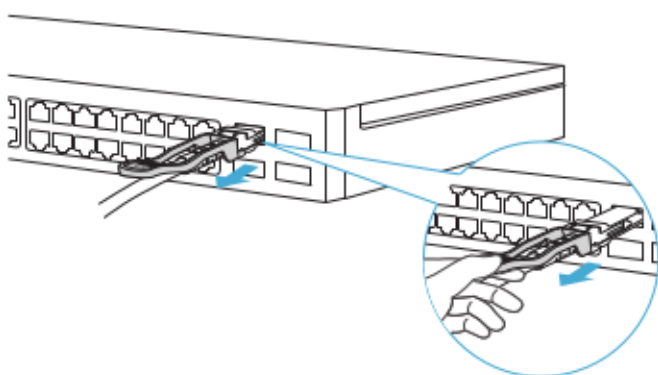
NOTE: When inserting into the upper port, the label should face up. Instead the label should face down when inserting into the lower port.



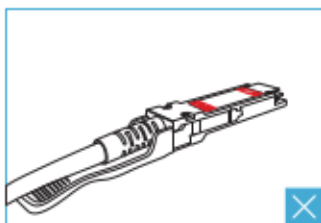
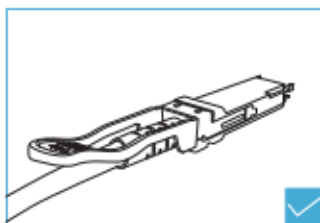
3-2 Installing a 40G/100G DAC or AOC.



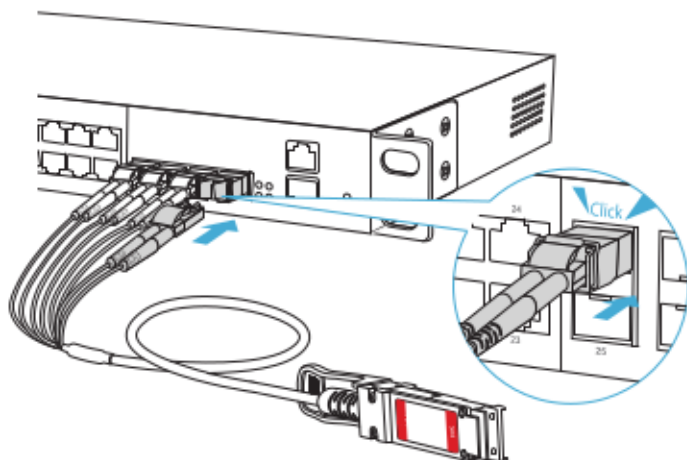
Removing a 40G/100G DAC or AOC.



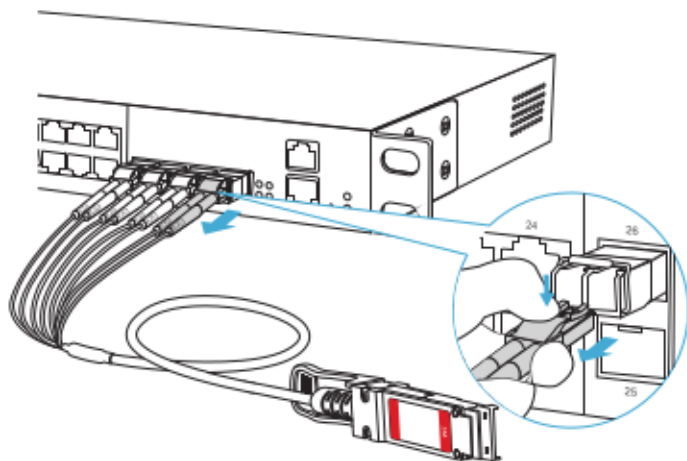
NOTE: When inserting the 40G/100G DAC or AOC, the label should face down.



3-3 Installing a Duplex LC Cable of 1-8 Breakout AOC.



Removing a Duplex LC Cable of 1-8 Breakout AOC.



NOTE: Please remove the dust cap before installation and the connector clip should be upward when inserting.

