

Ferrite Material: A5-K5B RMS-303

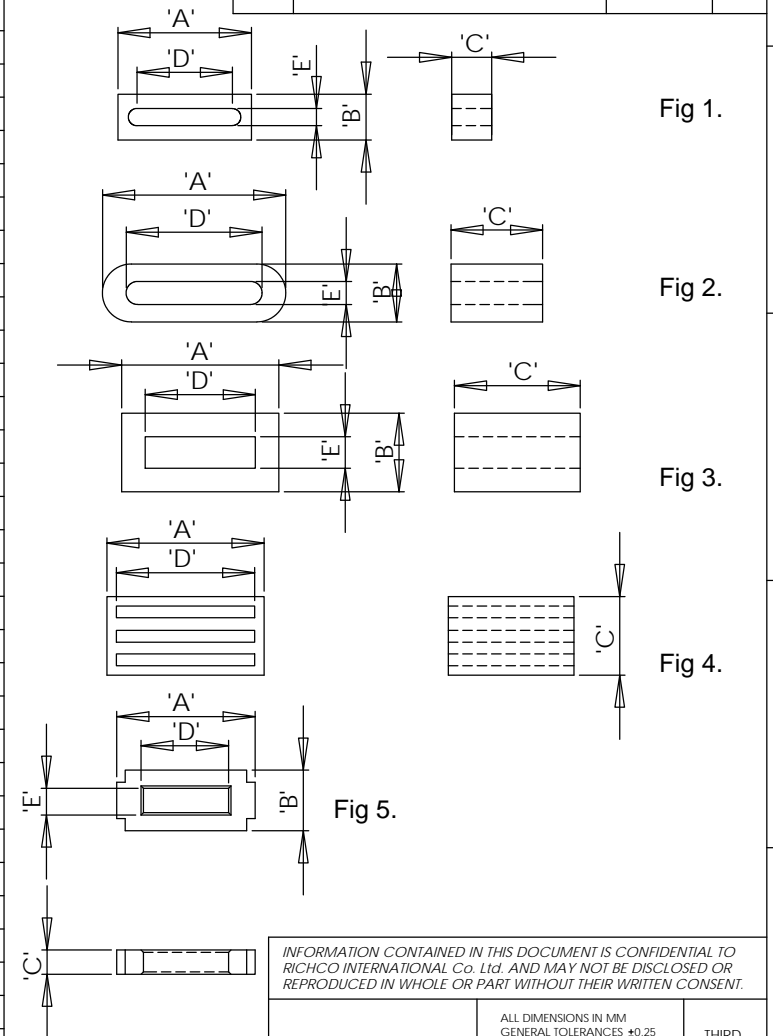
RFS	Fig.	A	B	C	D	E	IMPEDANCE		STANDARD PACK (PIECES)
							25MHz	100MHz	
RFS3-2-9-K5B	3	5	3	9	3	1	46	74	1000
RFS3-3-9-K5B	3	5.5	3	9	4	1.4	32	57	1000
RFS2-3-9-K5B	3	6.5	3.8	9	4	1.4	41	72	500
RFS3-4-9-A5	3	7.5	5.3	9	5	2.8	32	59	500
RFS3-4-12-A5	3	7.5	5.3	12	5	2.8	42	86	500
RFS2-5-8-A5	3	9.1	5.6	7.8	7.2	3.7	19	41	500
RFS3-5-12-A5	3	9.5	3	12	7.6	0.8	38	79	500
RFS3-6-3-A5	3	10	3.2	3	8	1	13	42	1000
RFS3-6-7-A5	3	10	3.2	7	8	1	25	65	1000
RFS1-6-8-A5	3	10	3.2	8	8	1	28	60	1000
RFS5-7-2-A5	5	13.84	3.94	1.88	9.78	1.52	10	32	2000
RFS2-8-12-A5	2	14.7	2.75	12	11	0.7	28	63	192
RFS2-9-5-A5	2	16	3	5	11.5	0.5	14	40	375
RFS2-9-8-3-A5	2	16	3	8	11.5	0.5	24	68	200
RFS2-9-4-A5	2	16	4	4	11.5	0.5	15	40	450
RFS2-9-6-A5	2	16	5	6	11.5	0.5	20	48	352
RFS2-9-8-A5	2	16	5	8	11.5	0.5	29	72	288
RFS2-9-12-A5	2	16	5	12	11.5	0.5	41	73	160
RFS2-9-12-2-A5	2	16	5	12	11.5	1.2	37	69	160
RFS2-9-15-A5	2	16	5	15	11.5	0.5	50	90	144
RFS2-9-20-A5	2	16	5	20	11.5	0.5	60	120	126
RFS2-11-10-A5	2	18	5	8	14	1	45	164	252
RFS2-11-20-A5	2	18.9	6.5	20	14	1.8	61	123	84
RFS2-11-12-A5	2	19	6.5	12	14	1.8	38	62	144
RFS2-13-15-A5	2	20.5	3.5	15	16.5	0.8	36	97	126
RFS1-15-7-2-A5	1	23.3	2.5	7	20	0.9	14	41	240
RFS1-15-7-A5	1	23.3	3	7	20	0.9	17	45	240
RFS1-15-10-A5	1	23.3	3	10	20	0.9	18	47	168
RFS1-15-12-A5	1	23.3	3	12	20	0.9	23	58	144
RFS1-15-15-A5	1	23.3	3	15	20	0.9	24	59	108
RFS1-14-15-A5	1	23.8	3.2	15	18.7	1.1	27	77	120
RFS2-14-7-A5	2	23.8	6.3	7	18.7	1.1	21	47	240

Standard Pack sizes may vary

NOTES.

- 1) See drawing 05-133 sheet 4 onwards for Impedance graphs.
- 2) Impedance figures are typical values.
- 3) other sizes available by special order.
- 4) Packaging information is only a guide & subject to variation.

REV.	MODIFICATION.	DATE	DRN
02	CO-2010429	06/10/08	SF
03	CO-2010456	28/10/08	OW
04	CO-2010481	18/11/08	SF
05	CO-2010520	18/12/08	SF
06	CO-2010933	03/06/10	SF
07	CO-2011052	03/02/11	SF



INFORMATION CONTAINED IN THIS DOCUMENT IS CONFIDENTIAL TO RICHCO INTERNATIONAL Co. Ltd. AND MAY NOT BE DISCLOSED OR REPRODUCED IN WHOLE OR PART WITHOUT THEIR WRITTEN CONSENT.

RICHCO, INC.
WWW.RICHCO-INC.COM

ALL DIMENSIONS IN MM
GENERAL TOLERANCES ±0.25
UNLESS OTHERWISE STATED
1 DECIMAL PLACE ±
2 DECIMAL PLACES ±
ANGULAR ±1°

THIRD ANGLE

MATERIAL: See Table		COLOUR: See Table	
DESCRIPTION: RFS Flat Cable Sleeve Cores		PART No: See Table	
DRG No: 05-133	NPR No:	Mass:(g)	SHEET SIZE A3
DRN NJB	DATE 02/12/05	CHKD RC	DATE 02/12/05
SCALE NTS		SHEET No. 1 of 8	

Ferrite Material: A5-K5B RMS-303

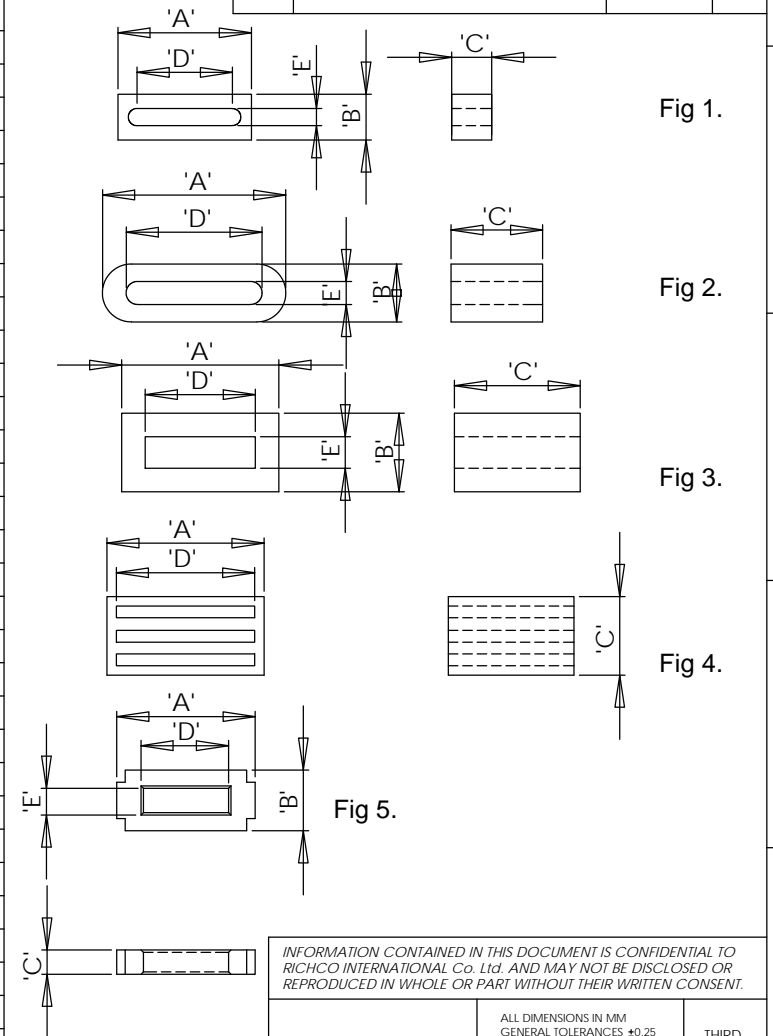
RFS	Fig.	A	B	C	D	E	IMPEDANCE		STANDARD PACK (PIECES)
							25MHz	100MHz	
RFS2-14-13-A5	2	23.8	6.3	12.5	18.7	1.1	46	96	120
RFS2-2-30-A5	2	24	12	30	15	4	120	191	48
RFS2-15-12-A5	2	24.5	5	12	20	0.5	35	70	144
RFS2-15-20-A5	2	24.5	5	20	20	0.5	41	78	84
RFS2-17-20-A5	2	25	3.7	20	22	0.7	43	114	56
RFS2-16-12-A5	2	25.5	3	12	21.5	0.65	27	87	132
RFS1-16-15-A5	1	25.5	4.5	15	21.5	0.65	39	110	144
RFS1-17-15-A5	1	25.5	5	15	21.5	0.65	48	128	108
RFS2-18-8-A5	2	28.5	6.5	8	23.5	0.8	28	65	170
RFS2-18-15-A5	2	28.5	6.5	15	23.5	1	44	91	90
RFS2-18-18-A5	2	28.5	6.5	18	23.5	1	55	127	80
RFS2-18-10-A5	2	28.6	7.7	10	23.5	1.7	31	71	140
RFS2-22-8-A5	2	31	3	8	27	1	13	42	160
RFS2-22-12-A5	2	31	3	12	27	1	19	56	110
RFS2-22-20-A5	2	31	4	20	27	0.7	42	121	60
RFS2-22-9-A5	2	31	5	9	27	1	29	88	150
RFS2-20-12-A5	2	31	5	12	27	1	28	75	110
RFS2-21-18-A5	2	31	5	18	27	1	34	94	70
RFS2-21-25-A5	2	32	4	25	27	0.7	51	142	36
RFS2-22-25-A5	2	32	6	25	28	0.85	59	146	36
RFS4-21-16-A5	4	32	11.8	16	27	1	76	188	80
RFS2-21-8-A5	2	33.5	6.5	8	27	1.3	21	53	136
RFS2-21-10-A5	2	33.5	6.5	10	27	1.3	26	57	84
RFS2-21-12-A5	2	33.5	6.5	12	27	1.3	30	66	70
RFS2-21-15-A5	2	33.5	6.5	15	27	1.3	36	78	72
RFS2-21-20-A5	2	33.5	6.5	20	27	1.3	58	149	56
RFS2-24-18-A5	2	36	6.5	18	31	0.6	52	147	64
RFS2-24-8-A5	2	36	7.5	8	31	1	29	79	48
RFS2-24-20-A5	2	36	7.5	20	31	1	54	122	32
RFS2-24-30-A5	2	36	7.5	30	31	1	72	174	32
RFS2-24-36-A5	2	36	7.5	36	31	1	92	192	24
RFS2-25-12-A5	2	36	5	12	32.4	0.8	29	88	90

Standard Pack sizes may vary

NOTES.

- 1) See drawing 05-133 sheet 4 onwards for Impedance graphs.
- 2) Impedance figures are typical values.
- 3) other sizes available by special order.
- 4) Packaging information is only a guide & subject to variation.

REV.	MODIFICATION.	DATE	DRN
02	CO-2010429	06/10/08	SF
03	CO-2010456	28/10/08	OW
04	CO-2010481	18/11/08	SF
05	CO-2010520	18/12/08	SF
06	CO-2010933	03/06/10	SF
07	CO-2011052	03/02/11	SF



INFORMATION CONTAINED IN THIS DOCUMENT IS CONFIDENTIAL TO RICHCO INTERNATIONAL Co. Ltd. AND MAY NOT BE DISCLOSED OR REPRODUCED IN WHOLE OR PART WITHOUT THEIR WRITTEN CONSENT.

RICHCO, INC. WWW.RICHCO-INC.COM	ALL DIMENSIONS IN MM GENERAL TOLERANCES ±0.25 UNLESS OTHERWISE STATED 1 DECIMAL PLACE ± 2 DECIMAL PLACES ± ANGULAR ±1°	THIRD ANGLE
---	---	-----------------

MATERIAL: See Table		COLOUR: See Table	
DESCRIPTION: RFS Flat Cable Sleeve Cores		PART No: See Table	
DRG No: 05-133	NPR No:	Mass:(g)	SHEET SIZE A3
DRN NJB	DATE 02/12/05	CHKD RC	DATE 02/12/05
SCALE NTS		SHEET No. 2 of 8	